

# data sheet

**Colenta**<sup>®</sup>

## **AERIAL FILM**

### **Processor 30 AN6-55**



**Colenta**<sup>®</sup>

AN6 Processor option for sheet and roll film  
up to 30cm in width

03/2005 AN



# AN6 AERIAL Film Processor

TYPE: AERIAL 30 AN6-55

## Technical Specifications:

**Processing applications:** AN6 film - roll, sheet, aerial, 35mm .....

**Max. Process width:** max. 30 cm - 12 inch (4 Track loading of 35mm film)

**Microprocessor Control:** with 4 preprogrammable processing cycles

**Transport Speed: 30 AN6 - 55cm per minute**

(Dev. times are pre-programmable for push-pull processing)

## **Tank capacities: COLENTA AERIAL 30 AN6 - 55**

<b>First Developer</b>	:	<b>22,0</b>
<b>Stop</b>	:	<b>10,0</b>
<b>Wash</b>	:	<b>10,0</b>
<b>Bleach</b>	:	<b>10,0</b>
<b>Fix</b>	:	<b>10,0</b>
<b>Wash</b>	:	<b>13,5</b>
<b>Wash</b>	:	<b>13,5</b>
<b>Stop</b>	:	<b>10,0</b>

**Standard accessories:** - Long roll and motorised take up and drive motor battery back-up system

**Replenishment:** - Precisely controlled using opto-sensors to measure the film area loading.  
- Activated after a pre-programmed film area is fed into the processor  
- Antioxidation/standby replenishment, activated after 0-9 hours \*

**Solution Levels:** Low Level monitoring in all tanks \*  
High Level monitoring in Overflow/Collection Tanks (waste management, optional) \*  
Low Level in Repl. Tanks for FD, Bleach, Fix and Stop (optional) \*

**Temperatures:** High / Low level monitoring for all the wet-tanks

**Work in Progress :** Details the location of film within the processor.

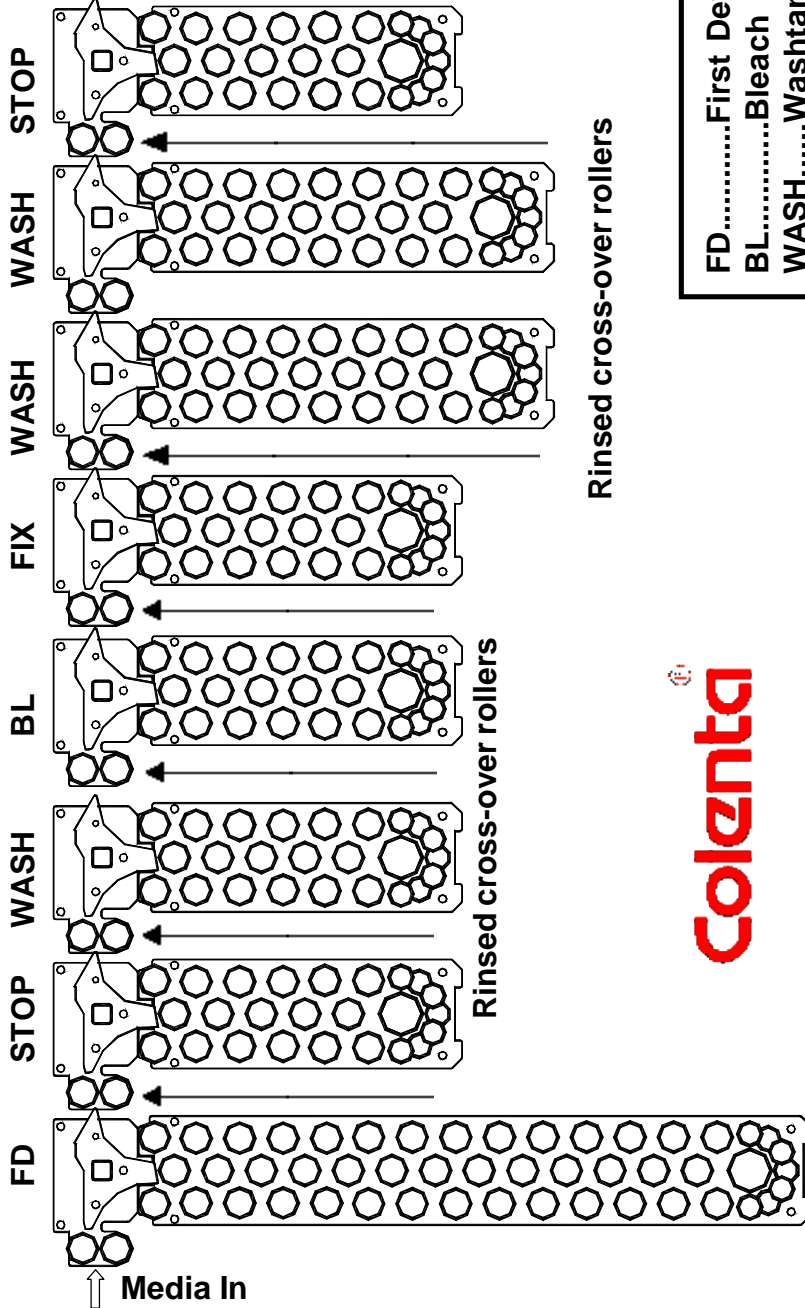
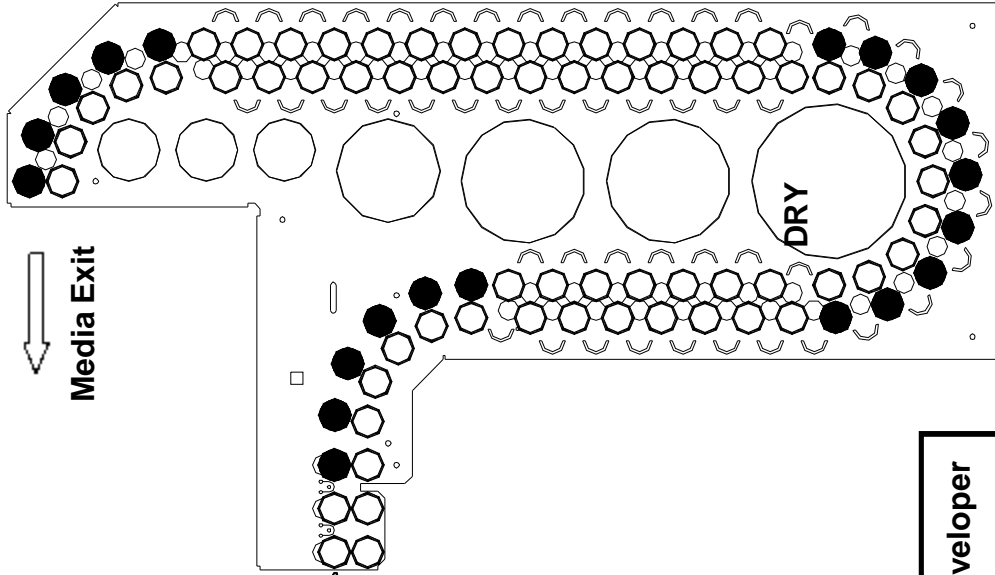
**Transport:** Drive motor overload monitoring  
Security cover lid switch

(\* optional) - when activated will operate an audible warning and a message alert to confirm the error type.

Technical specification subject to change without notice.

**Transport System:**

**COLENTA AERIAL 30 AN6-55**

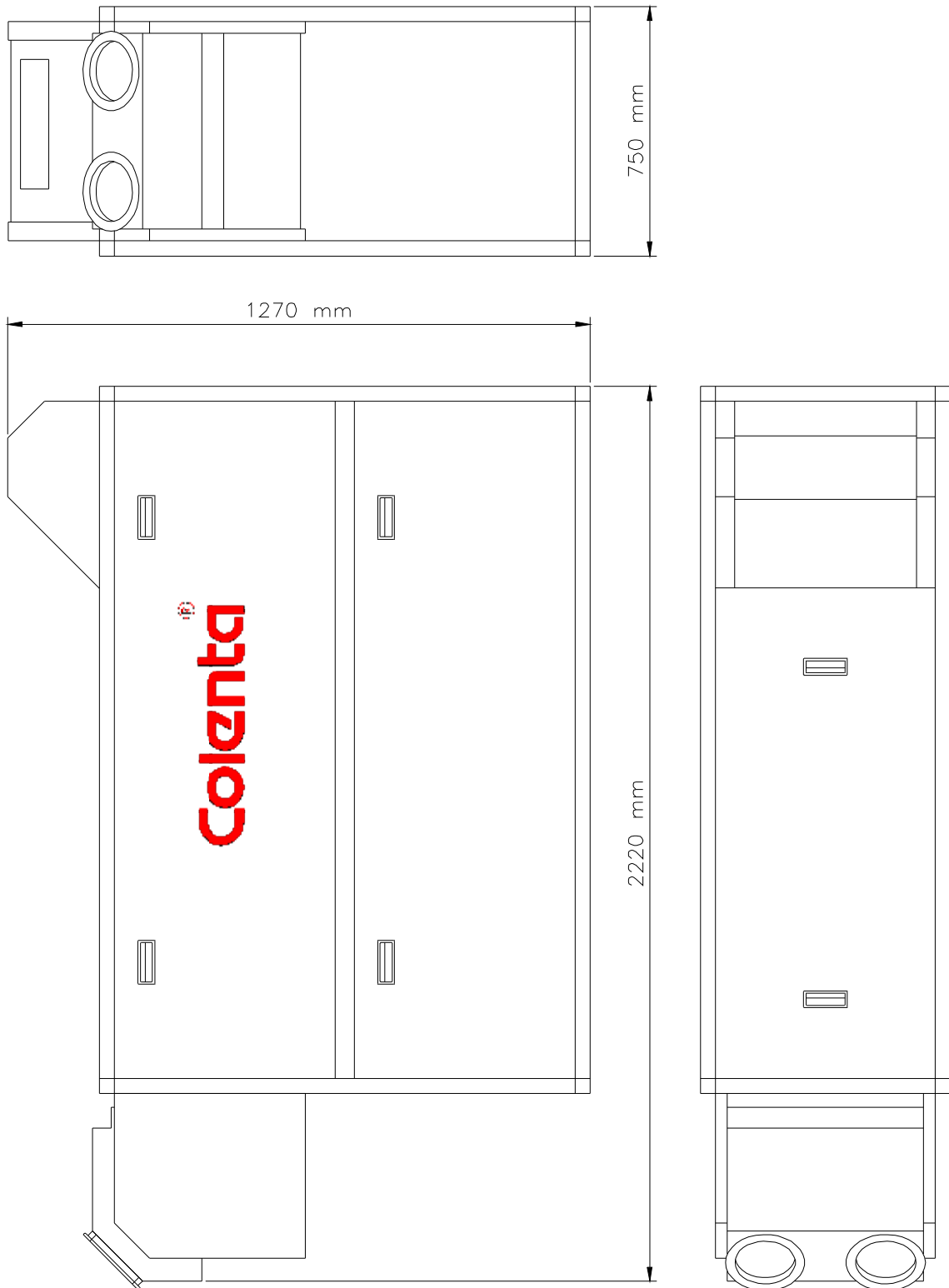


- FD.....First Developer
- BL.....Bleach
- WASH.....Washtank
- FIX.....Fixer
- STOP.....Stop



**DIMENSIONS for:**

**COLENTA AERIAL 30 AN6 55**



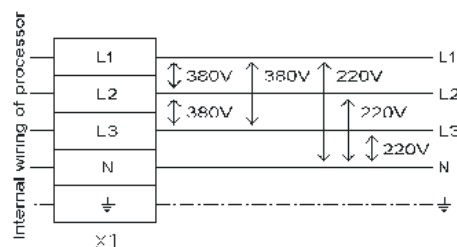
**We recommend a minimum walking space of 60cm around the processor.**

# Electrical supply: (Standard, when 3N~400/230V, 50/60 Hz supply available)

**AERIAL 30 AN6 55**

**8,5 kW  
16 A**

ATTENTION:  
PROCESSOR TO BE CONNECTED TO  
SUPPLY NET: 3N~380/220V 50/60Hz



In case the above voltages are not available at site, please contact your local dealer or the factory for rewiring advice.

Alternatives, to be indicated when ordering

## Details for shipment:

**AERIAL 30 AN6 55**

packing dimensions: 1 wooden box on palette  
230cm x 93cm x 150cm (L x W x H)  
packing volume: 3,21 m<sup>3</sup>  
weight with packing: 560 kg