

data sheet

COLENTA ONLINE SYSTEM IL 56 DD / OL for Heidelberg DUOSETTER

Automatic Twin-Processor
Automatic Twin-Processor

DOUBLE DECKER DD

FILM & PLATE



Colenta[®]

for Graphic Art Films and PE-Printing Plates (up to 0,2 mm)
PLATE - 125 cm/min at 20 sec dev time
FILM - 175 cm/min at 20 sec dev time

Colenta Imageline®

DD-model processors have 9 programmable processing channels (9 for FILM & 9 for PLATE), an intermediate rinse bath rack system, covered stand, hose/tube connection (100 mm dia.) facility for ventilation of the processors wet-section to an external exhaust fan and supplied with 4 x 30 lt replenishment storage tanks

With level control in both, DEV/FIX and ACT/STAB processor tanks to automatically “top-up” chemistry when levels are low.

With level control in wash tanks: high/low level monitoring with alarm warning.

With automatic wash tank “fill” when processor is switched on.

Technical Specifications

Processing applications FILM :	Films, RC-paper, Rolls/Cut sheets of all commonly used film/paper inclusive of I.R.Material
Processing applications PLATE :	All commonly used PE-Printing PLATES
Film thickness:	up to 0,18mm (7mil)
Plate thickness:	up to 0.2mm (0,3mm)
Material width:	min. 7,5 cm max. 56 cm
Time in DEVELOPER:	min. 20 sec - max. 100 sec
Time in ACTIVATOR:	min. 17 sec - max. 100 sec
Input speed.	PLATE : 20sec/DEV-Time 125cm/min FILM : 20sec/DEV-Time 175cm/min

Tank capacity -	Developer	13L
	Fixer:	13L
	Wash water:	12L

FILM

Tank capacity -	Activator	9L
	Stabilizer	9L
	Wash water:	7.5L

PLATE

Solution heating(**Fix and DEV**):

Solution heating(**Activator**):

Dryer **Film**:

Dryer **Plate**:

Replenishment **Film & Plate**:

Wash water distribution:

Wash water flow rate:

Wash water supply pressure:

Wash water supply temp.:

Wash water drain:

Weight:

Empty

With solution

IL 56 DD/OL

13L

13L

12L

IL 56 OL

9L

9L

7.5L

FILM

&

PLATE

adjustable in a range of 18°C - 43°C
(separate inline 550W heaters)

adjustable in a range of 18°C - 43°C
(separate inline 350W heaters for DD 56)

warm air
variable in a range of 18°C - 50°C

warm air
variable in a range of 18°C - 50°C

fully automatic.
replenishment is microprocessor controlled and calculated from information received from sensors measuring the width and length of material entering the processor. Replenishment cycles are adjustable.

FILM & PLATE: built in 4-way magnetic valve

2 ltr/min when film/plate is processed

3 - 10 bar for **FILM&PLATE**

filtered at a temperature of 8°C - 15°C

with 3/4" hose connection

32mm (5/4inch) hose or tube

IL 56 DD/OL

421 kg

486 kg

Technical specification subject to change without notice.

GLOSSARY

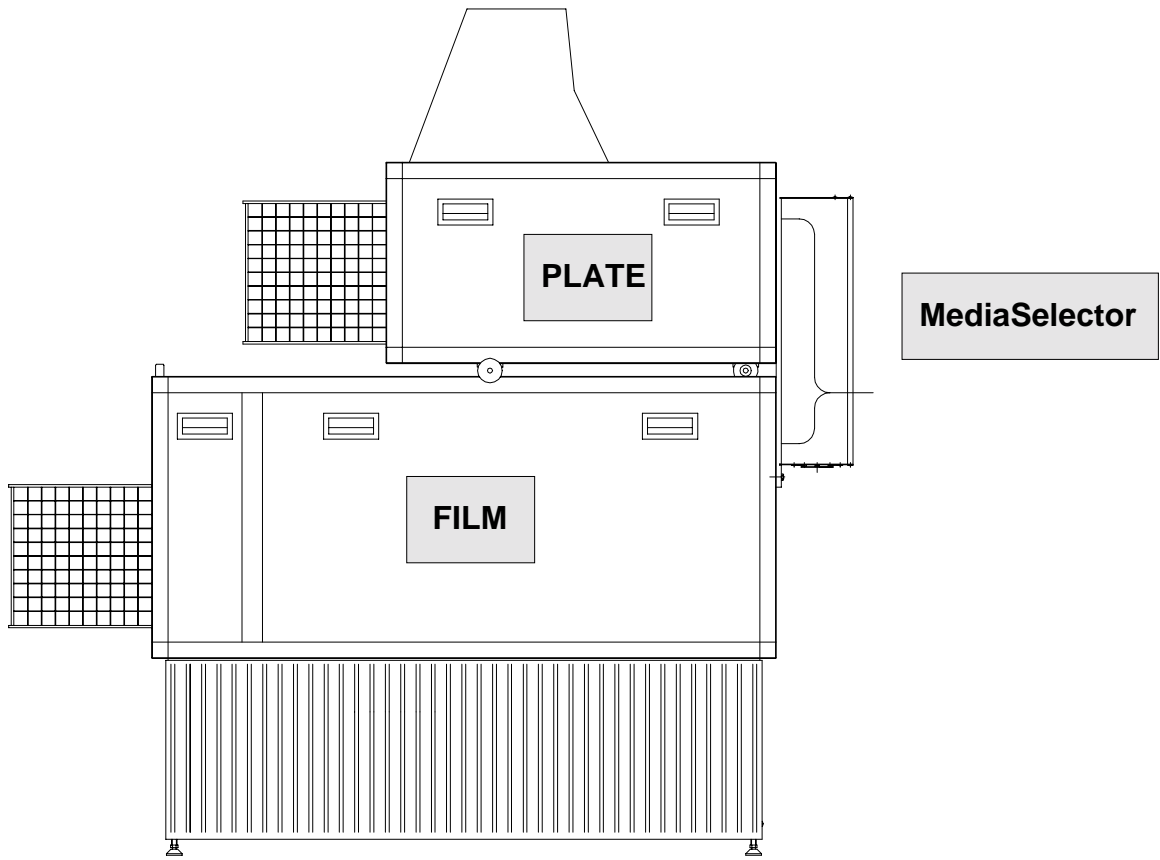
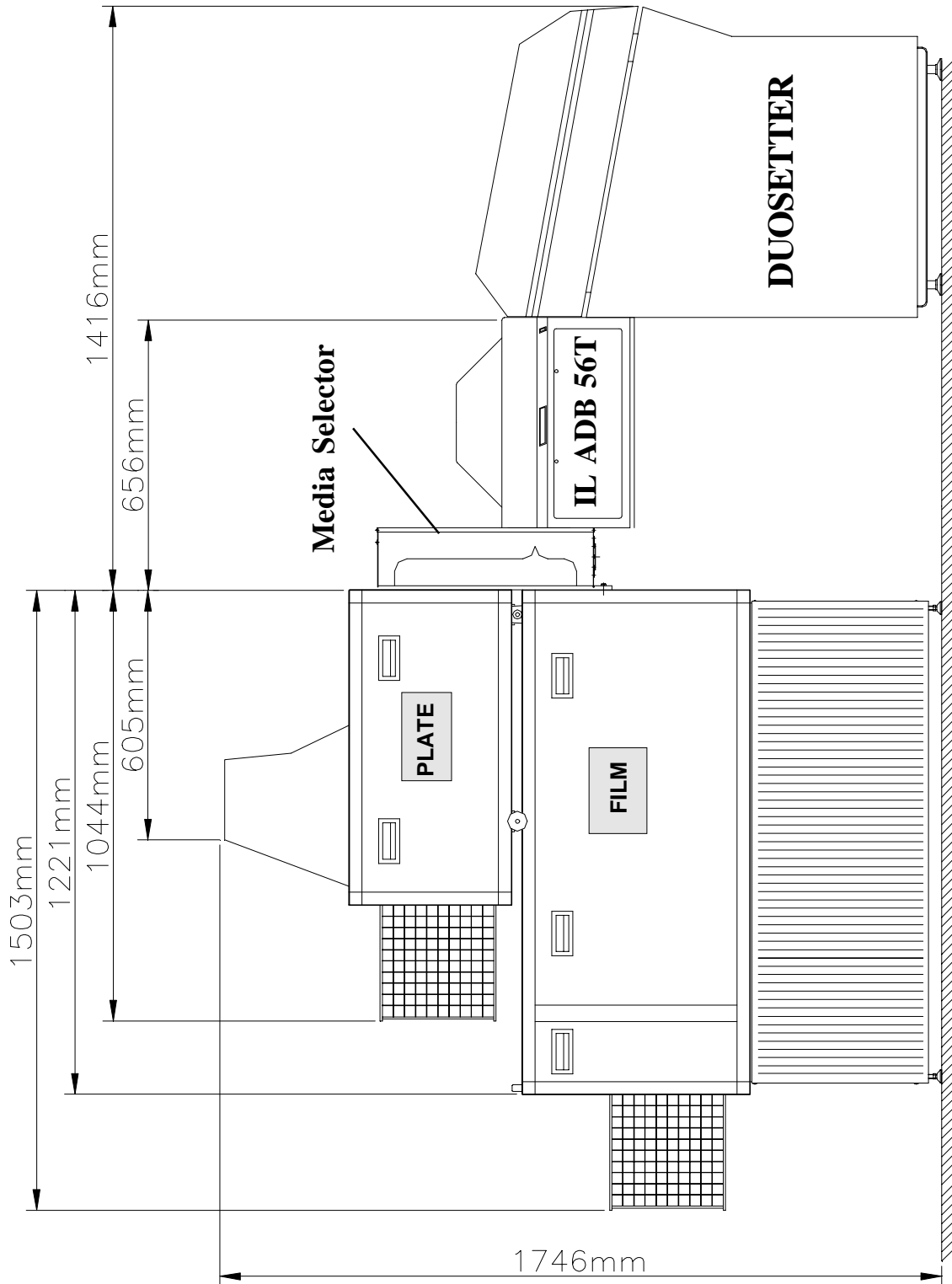


PLATE	56 PL-DD	DD- 56 OL
FILM	56 SP-DD	
MediaSelector	56 MS-DD	

Dimensions:

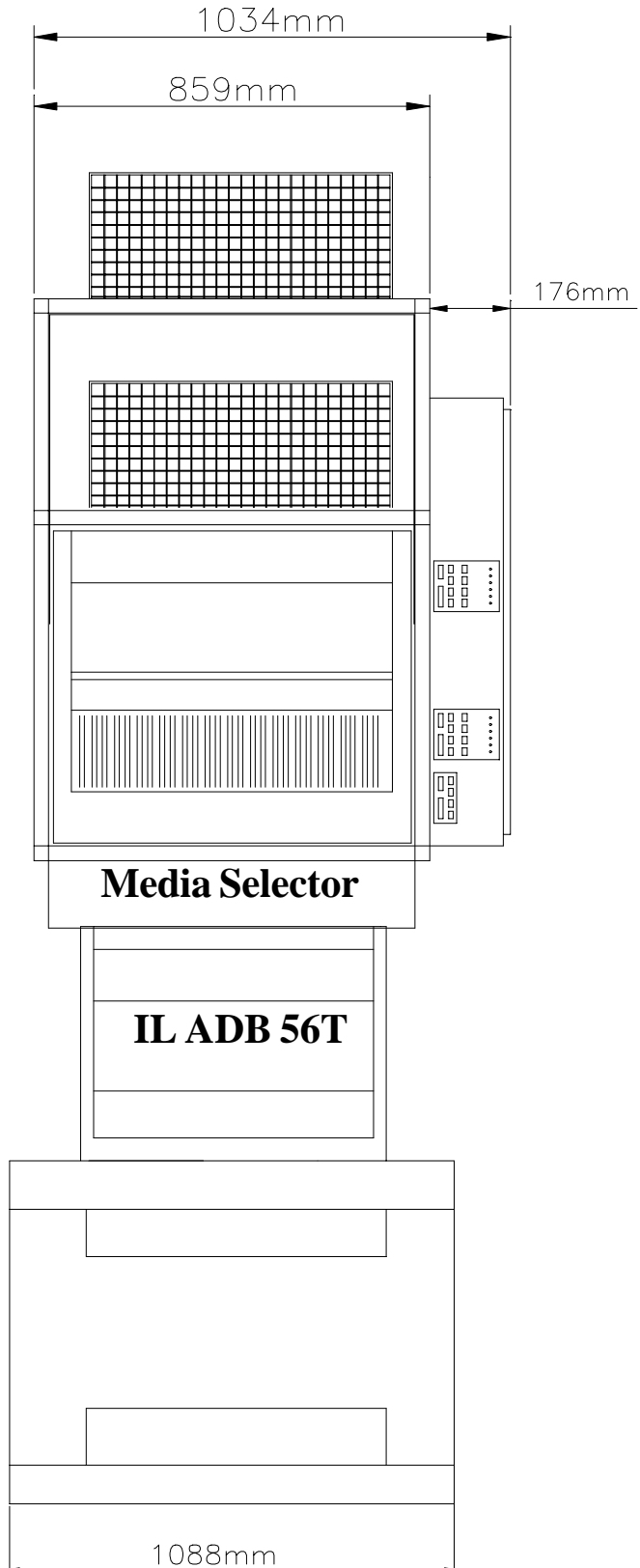


DIMENSIONS:

IL 56 DD/OL

**Processor:
IL 56 DD/OL**

**Heidelberg
DUOSETTER**

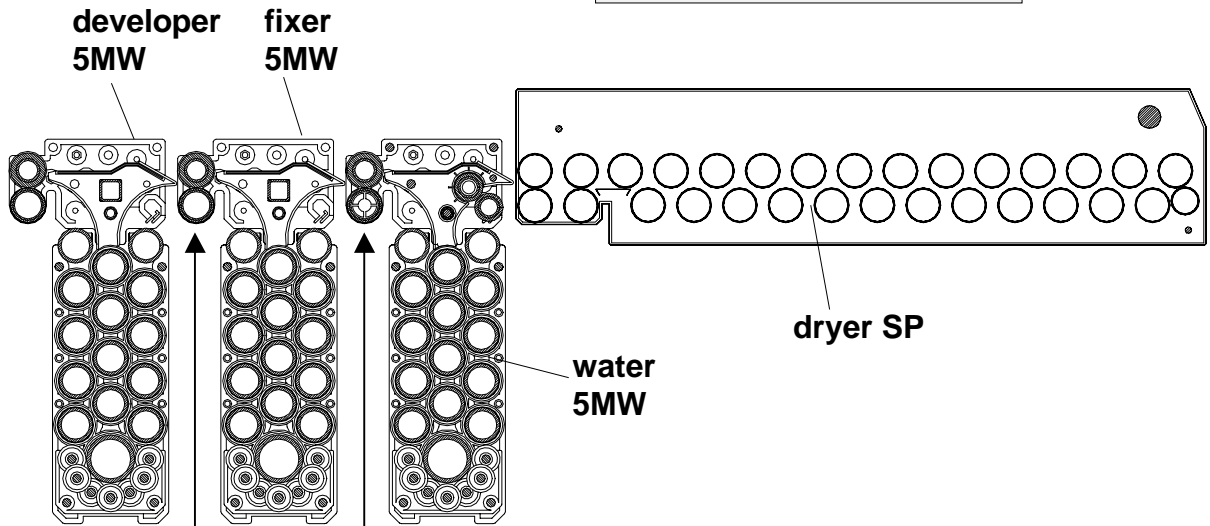


TRANSPORTSYSTEM:

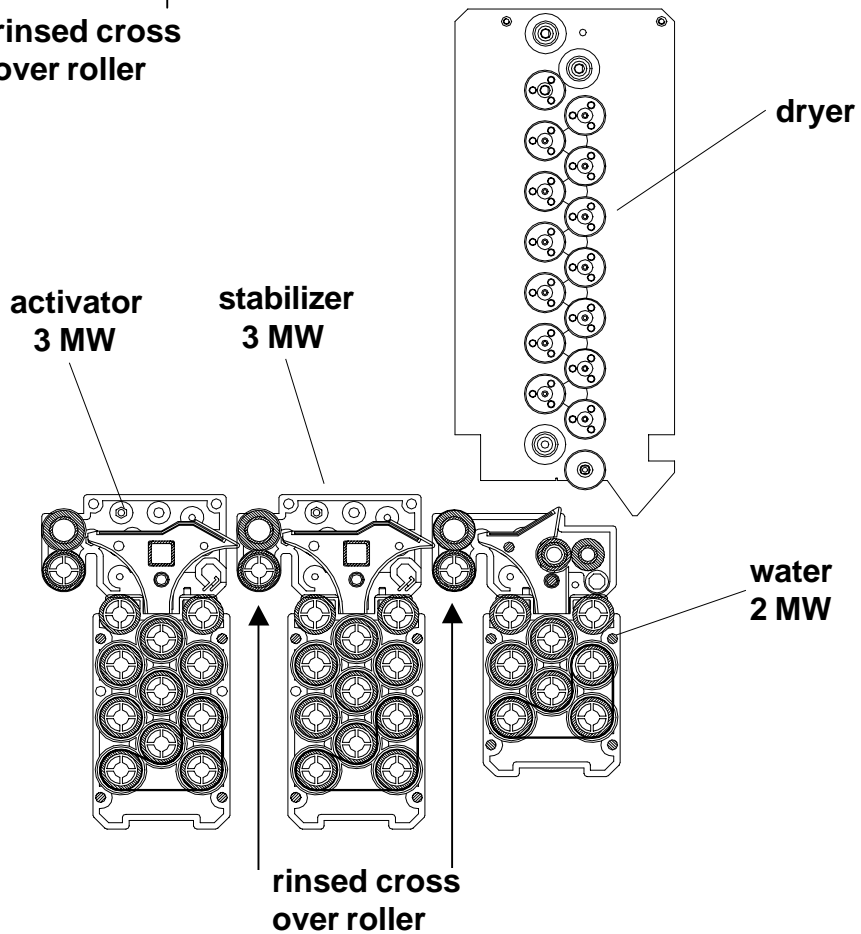
Colenta[®]

FILM

IL 56 DD/OL



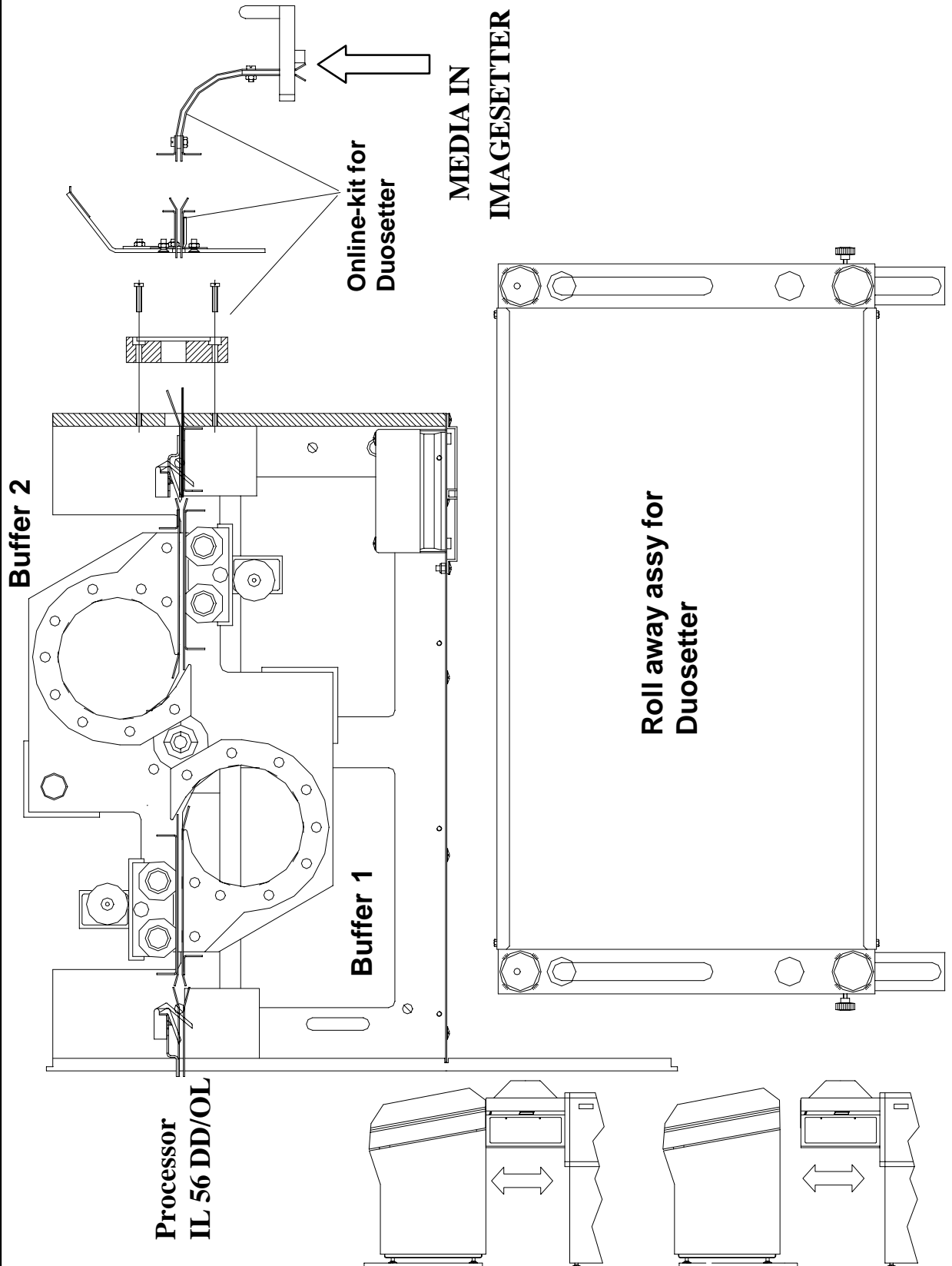
PLATE



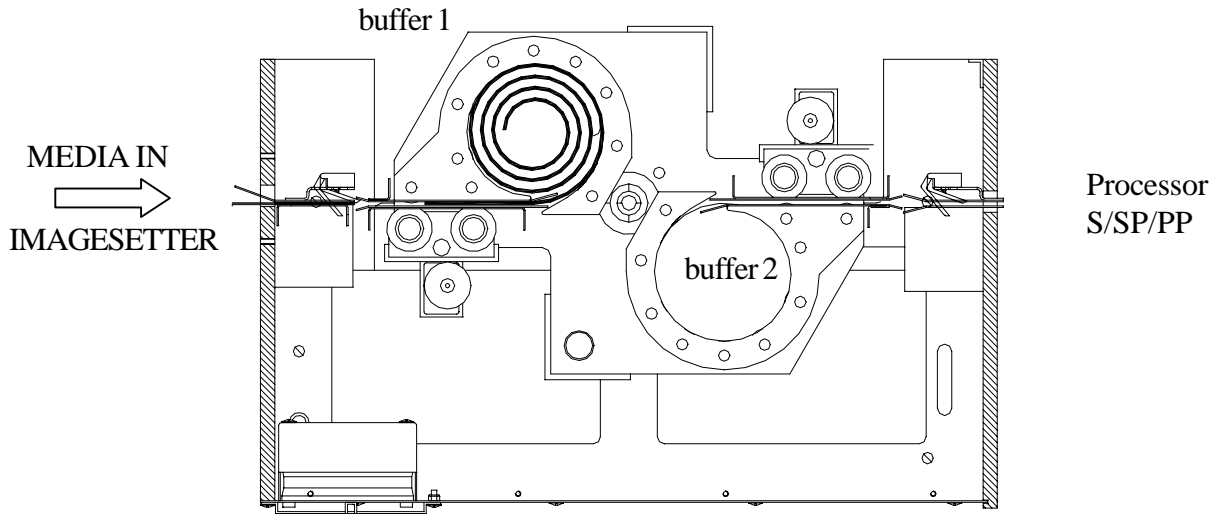
COLENTA

DOUBLE BUFFER SYSTEM

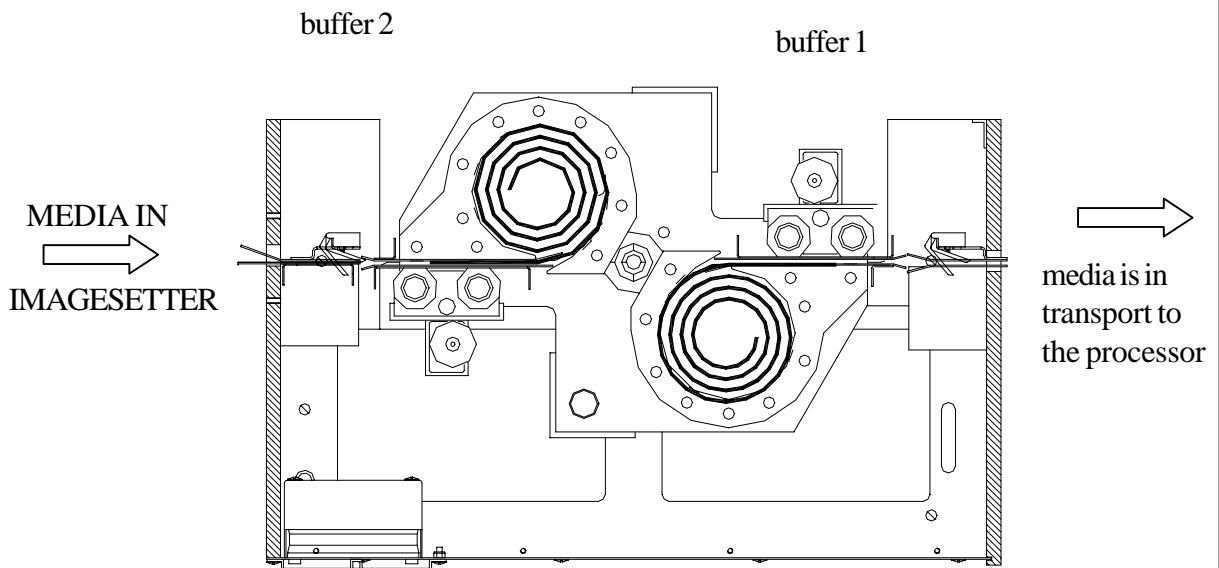
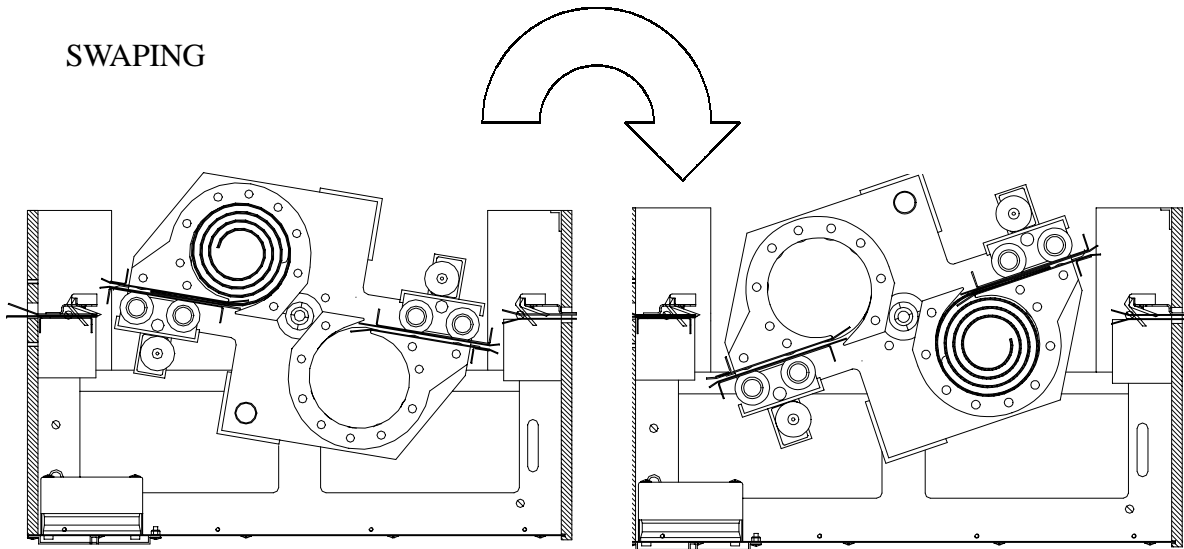
ADB 56/T.....Emulsion UP



description of COLENTA-DB:

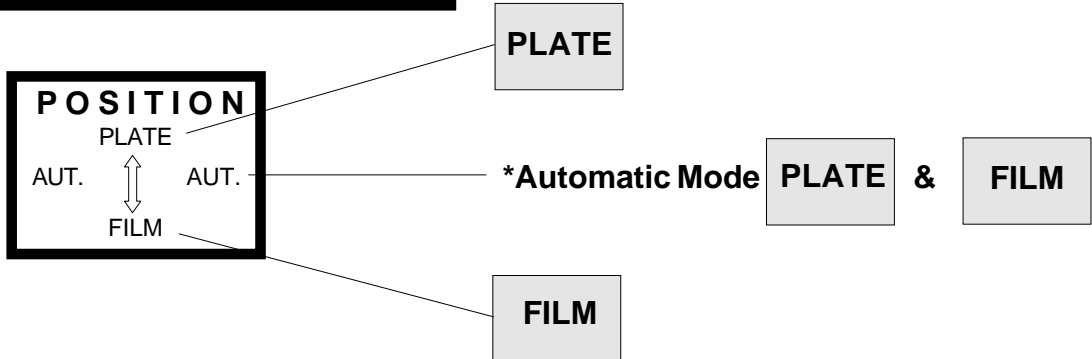


SWAPING

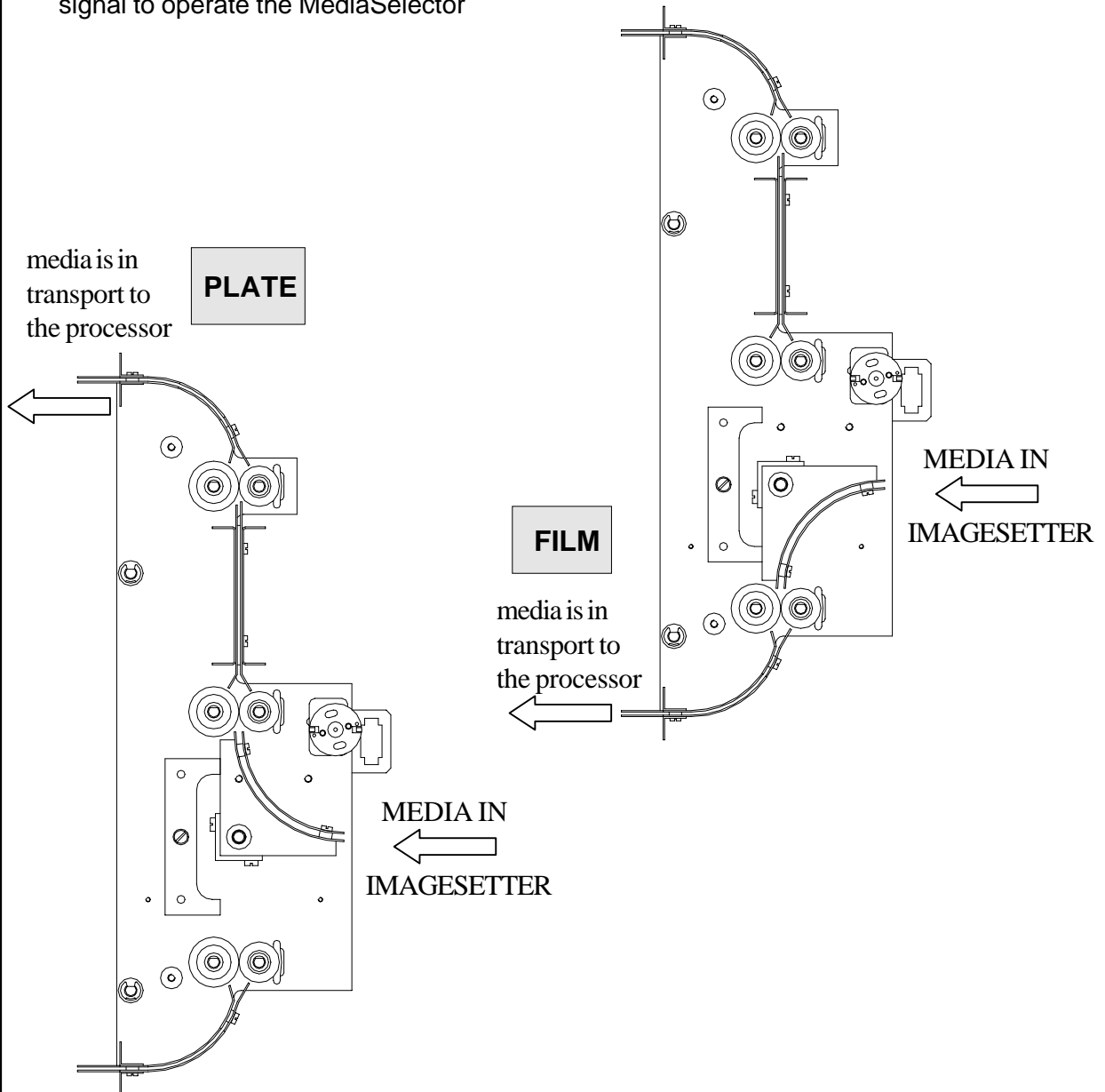


WORKING WITH THE MEDIA SELECTOR:


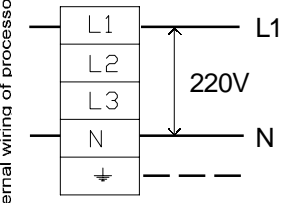
MEDIA SWITCH



* To work with the Automatic Mode the Film and the Plate-processor must have reached working conditions and Typesetter must be able to supply the corresponding control signal to operate the MediaSelector

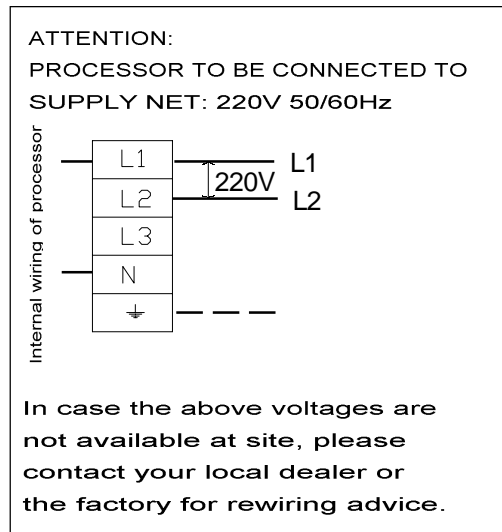
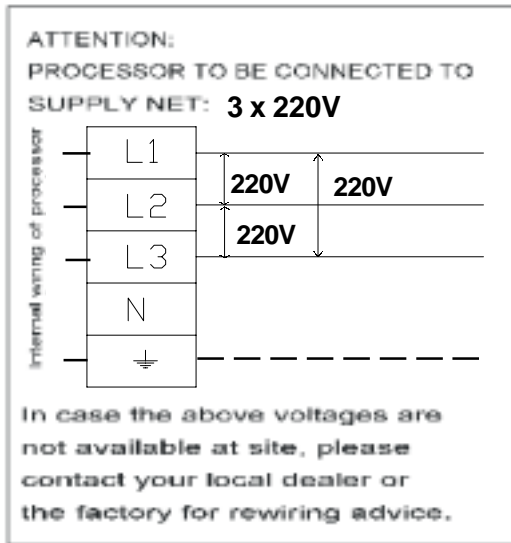


Electrical supply: (Standard, when 3N~400/230V, 50/60 Hz supply available)

<p>FILM</p> <p>DD 56</p>	<p>3N~ 400/230V 50/60Hz</p> <p>6,4 kW 13 A</p> <div data-bbox="879 465 1377 983" style="border: 1px solid black; padding: 5px;"> <p>ATTENTION: PROCESSOR TO BE CONNECTED TO SUPPLY NET: 3N~380/220V 50/60Hz</p>  <p>In case the above voltages are not available at site, please contact your local dealer or the factory for rewiring advice.</p> </div>
<p>PLATE</p> <p>DD 56</p>	<p>~ 230V 50/60Hz</p> <p>2,7 kW 13 A</p> <div data-bbox="890 1028 1388 1545" style="border: 1px solid black; padding: 5px;"> <p>ATTENTION: PROCESSOR TO BE CONNECTED TO SUPPLY NET: 220V 50/60Hz</p>  <p>In case the above voltages are not available at site, please contact your local dealer or the factory for rewiring advice.</p> </div>
<p>MediaSelector</p>	<p>12V- DC (supplied by processor)</p>
<p>ADB 56 T</p>	<p>0,1 kW 4 A</p>

Electrical supply:

(alternatives, to be indicated when ordering)



DD 56 **FILM** **6,4 kW**
20 A

DD 56 **FILM** **6,4 kW**
32 A

DD 56 **PLATE** **2,7 kW**
13 A

DD 56 **PLATE** **2,7 kW**
13 A

Details for shipment:

IL DD 56 OL + ADB56T : Heidelberg Duosetter

packing dimensions:	3 carton box on palette
	190cm x 111cm x 150cm (L x W x H)
packing volume:	3,16 m ³
weight with packing:	370 kg
	190cm x 111cm x 125cm (L x W x H)
packing volume:	2,63 m ³
weight with packing:	200 kg
	125cm x 90cm x 88cm (L x W x H)
packing volume:	0,99 m ³
weight with packing:	140 kg