

Colenta INDX 43 2.0b

data sheet



Colenta

INDX 43 2.0b

NDT - Filmprocessor



**COLENTA Industrial Film Processor:
Type: INDX 43 2.0b**

01/2013 AN

To be used to process all standard **NDT Films**.

Colenta[®]

INDX 43 2.0b

NDT - Filmprocessor

Technical Specifications

Processing applications: Rolls/Cut sheets of industrial x-ray films

Film thickness: 0,10 mm (4mil) - 0,18mm (7mil)
 Material width: min. 7,5 cm max. 43cm (17inch)
 Material length: min. 12 cm

Capacities for:	Time in Developer [sec]	Cycle Time (dry to dry) [sec]	Intake speed [cm/min]
INDX 43 / 2.0b	min 25 max 170	97 659	95 14

additional, see the table on the next page

INDX 43 2.0b

Tank capacity - Developer: 7,0 L (incl Developer filter system)
 Fixer: 6,5 L
 Wash water: 6,5 L

Solution heating(Fix and DEV): adjustable in a range of 18°C - 43°C
 (separate inline 350W heaters)

Dryer: warm air
 adjustable in a range of 18°C - 55°C

Replenishment: fully automatic.
 replenishment is microprocessor controlled and
 calculated from information received from sensors
 measuring the width and length of material entering the
 processor. Replenishment cycles are adjustable.

Wash water distribution: built in 2-way magnetic valve
 Wash water flow rate: 2,5 ltr/min when film is processed
 Wash water supply pressure: 3 - 10 bar
 Wash water supply: filtered at a temperature of 8°C - 15°C
 with 3/4" hose connection

Wash water drain: 32mm (5/4inch) hose or tube

INDX 43 2.0b

Weight: Empty 150 kg
 With solution 170 kg

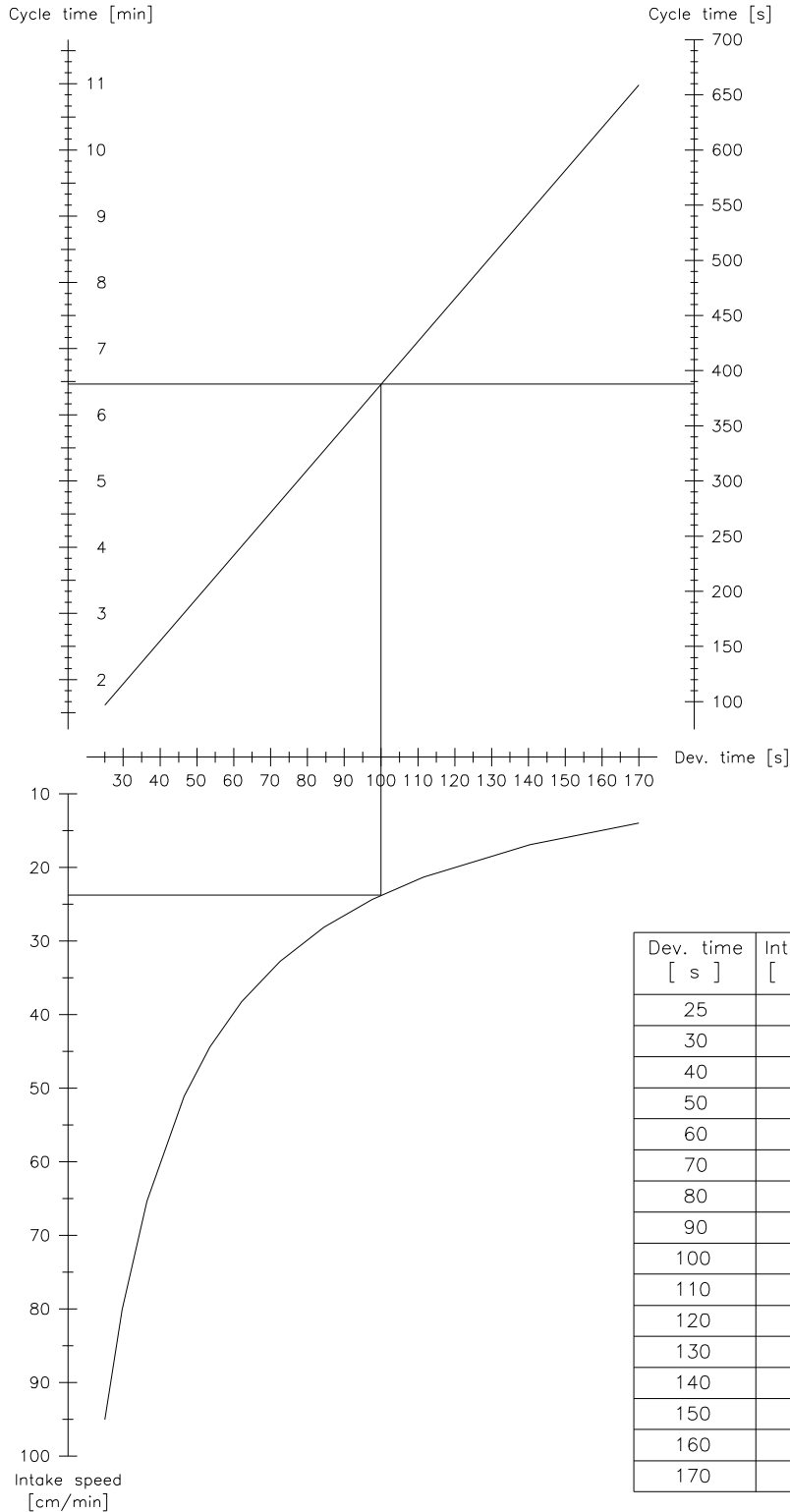


Technical specification subject to change without notice.

PRODUCTION GRAPH

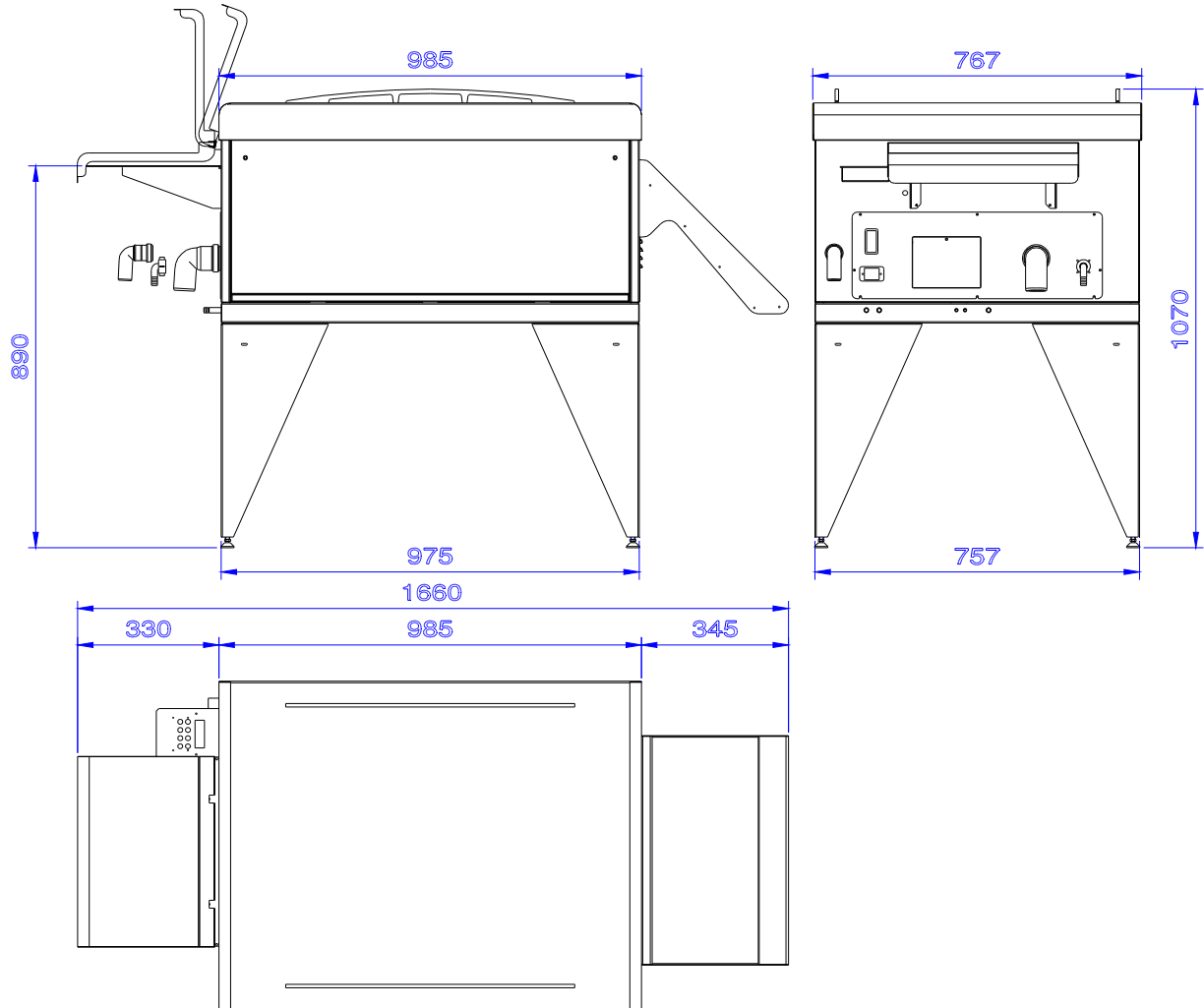
(Input speed / DEV-time / Cycle-time:)

Colenta [®] **INDX 43 2.0b**



Dimensions:

Colenta[®] INDX 43 2.0b

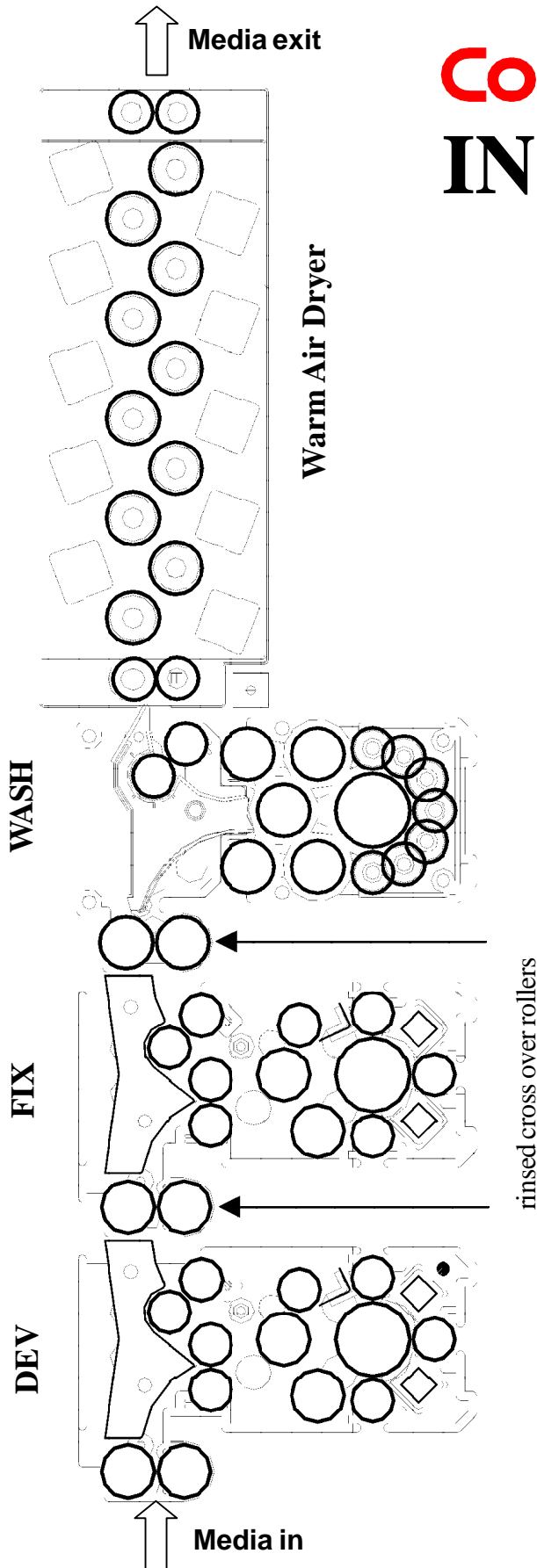


***We recommend a minimum walking distance around the processor of about 50cm.**

***All dimensions are in mm**

Transport System:

Colenta[®]
INDX 43 2.0b



Electrical supply:

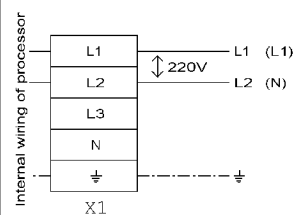
Colenta[®]

single phase
230 V

INDX 43/2.0b

1,9 kW
13 A

ATTENTION:
PROCESSOR TO BE CONNECTED TO
SUPPLY NET: 220V 50/60Hz



In case the above voltages are not available at site, please contact your local dealer or the factory for rewiring advice.

details for shipment:

INDX 43/2.0b

packing dimensions: 1 wooden box on pallette

packing dimensions (LxBXH) 144cm x 92cm 125cm

packing volume: 1,65m³

weight incl packing: 195 kg