

data sheet

MEDIPHOT

MP937 / MP943

X-Ray Filmprocessor



**COLENTA Medical X-Ray Film Processors:
MP937 and MP943**

01/2004 AN

For all standard X-Ray Films - Certified for **Mammography - Film processing.**

MEDIPHOT

MP937 / MP943

X-Ray Filmprocessor

Technical Specifications

Processing applications: For all standard X-Ray Films.
 Certified for **Mammography - Film** processing.

Film thickness: 0,10 mm (4mil) - 0,18mm (7mil)
 Material width: min. 7,5 cm max. **37/43**cm
 Material length: min. 10 cm

Capacities for:	Time in Developer [sec]	Cycle Time (dry to dry) [min]	Intake speed [cm/min]
MP937 / MP943	18 99	1'24 7'43	106 20

additional, see table on next page

	MP937	MP943
Tank capacity - Developer:	6L	6,5L
Fixer:	6L	6,5L
Wash water:	6L	6,5L

Solution heating(Fix and DEV): adjustable in a range of 18°C - 43°C
 (separate inline 350W heaters)

Dryer: warm air
 adjustable in a range of 18°C - 55°C

Replenishment: fully automatic.
 replenishment is microprocessor controlled and calculated from information received from sensors measuring the width and length of material entering the processor. Replenishment cycles are adjustable.

Wash water distribution: built in 3-way magnetic valve
 Wash water flow rate: 1,5 ltr/min when film is processed
 Wash water supply pressure: 3 - 10 bar
 Wash water supply: filtered at a temperature of 8°C - 15°C
 with 3/4" hose connection
 Wash water drain: 32mm (5/4inch) hose or tube

	MP937	MP943
<u>Weight:</u> Empty	113 kg	127 kg
With solution	134 kg	146 kg

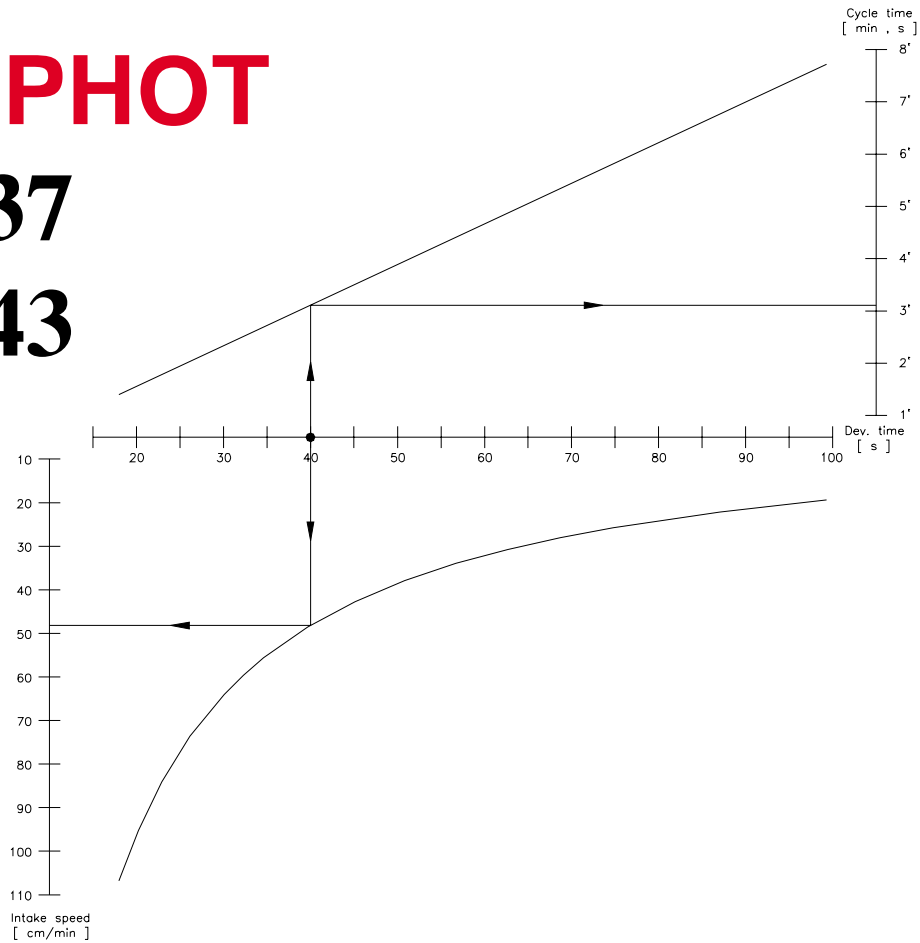
Technical specification subject to change without notice.

Input speed / DEV-time / Cycle-time:

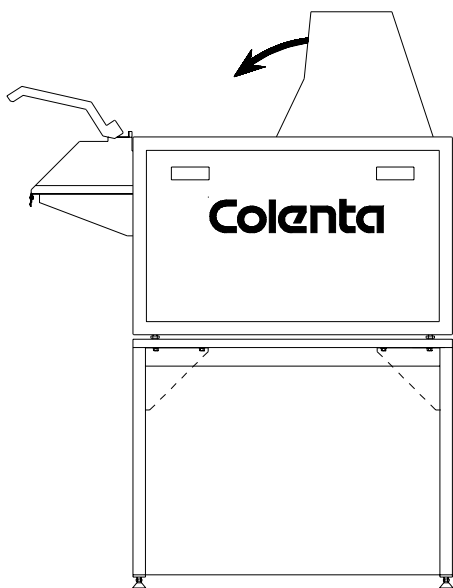
MEDIPHOT

MP937

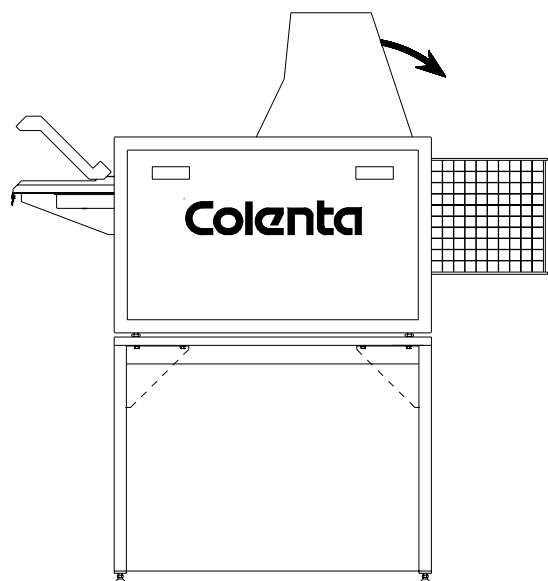
MP943



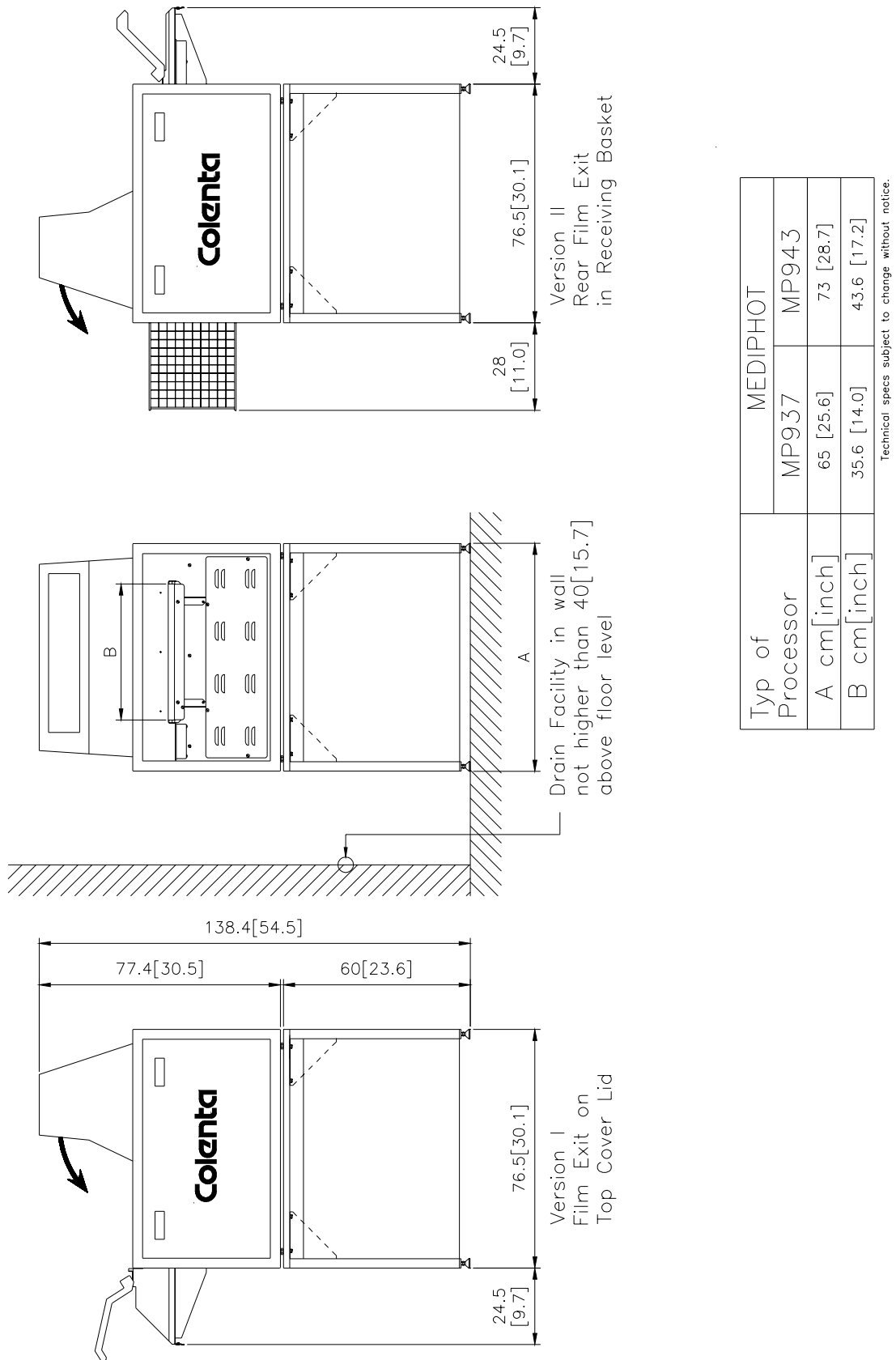
VERSION I
Media Exit on
Top Cover Lid



VERSION II
Rear Media Exit
in Receiving Basket



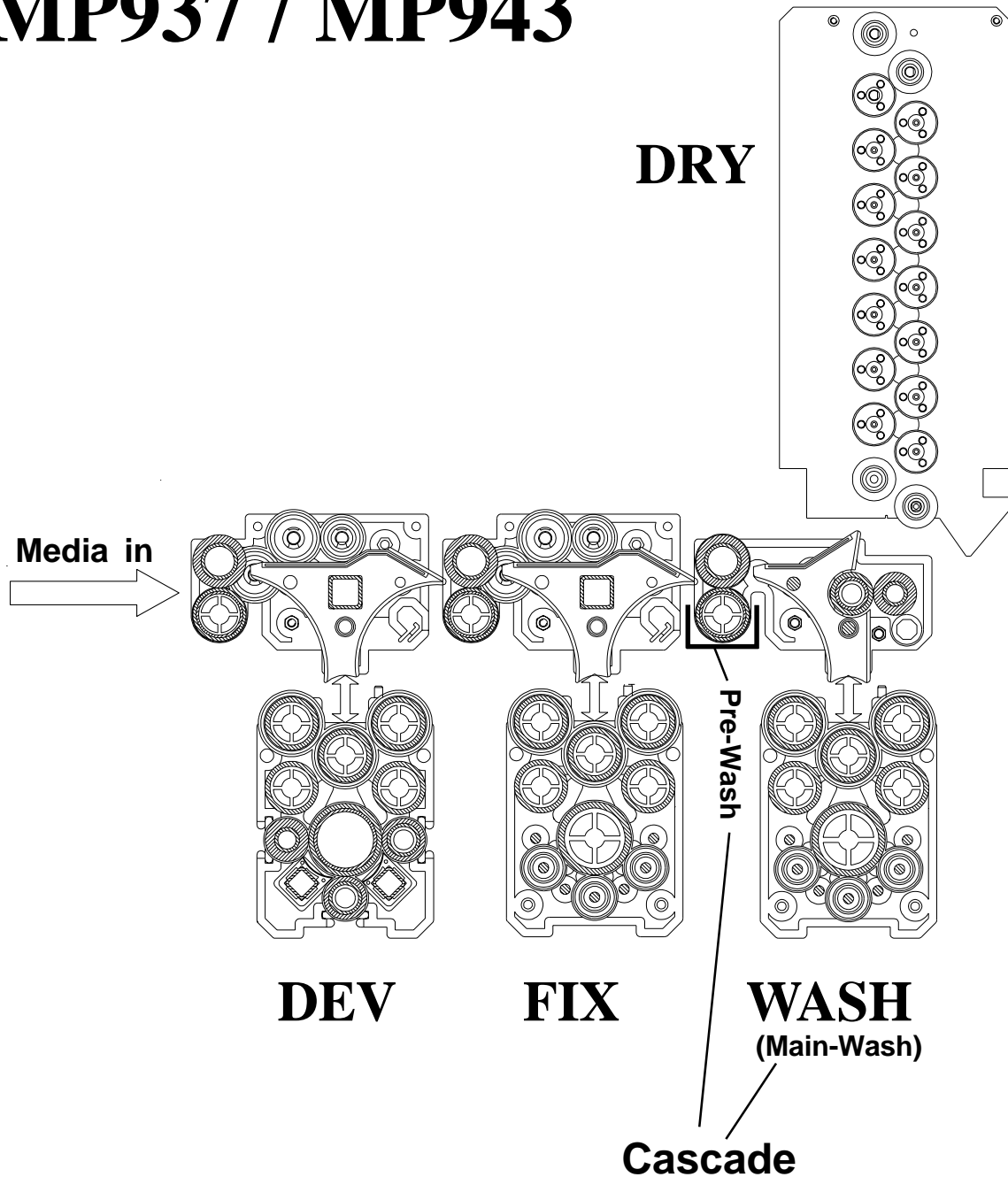
Dimensions of MEDIPHOT X-Ray Filmprocessor: cm(inch)



RACKSYSTEM:

MEDIPHOT

MP937 / MP943



Electrical supply:

single phase
230 V

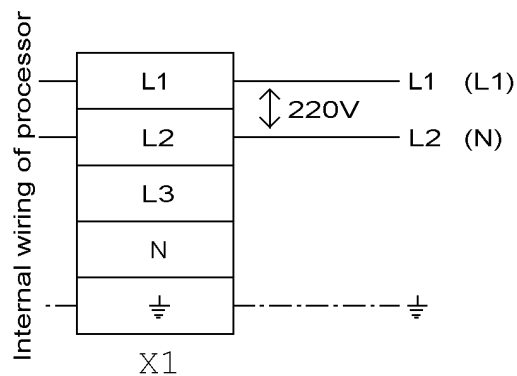
MP937

**3,1 kW
13 A**

MP943

**3,1 kW
13 A**

ATTENTION:
PROCESSOR TO BE CONNECTED TO
SUPPLY NET: 220V 50/60Hz



In case the above voltages are not available at site, please contact your local dealer or the factory for rewiring advice.

Details for shipment:

MP 937

packing dimensions: 1 carton box on palette
150cm x 80cm x 112cm (L x W x H)
packing volume: 1,344 m³
weight with packing: 158 kg

MP 943

packing dimensions: 1 carton box on palette
150cm x 80cm x 112cm (L x W x H)
packing volume: 1,344 m³
weight with packing: 170 kg