

# data sheet

## IMAGELINE PLATE

### ILP 68 LS/OL for

### Lithotech

### L540M / L540A



**Colanta**<sup>®</sup>

**ONLINE**

for AGFA SilverLithoStar CTP - Printing Plates  
IMAGELINE PLATE - TYPE ILP 68 LS/OL

12/2003 AN

# Colenta

# Imageline Plate<sup>®</sup>

## ILP 68 LS/OL

### Technical Specifications:

**Processing applications:**

AL-CTP AGFA SilverLithoStar

**Plate width:**

max. 68 cm (27 inch)

**Microprocessor Control:**

with 4 preprogrammable processing cycles and 1 overnight program (SLEEPMODE)

**Transport Speed at 20 sec DEV-Time:**

170cm/min - 67 inch/min

**(Time in Dev. plus Diffusion Time 20sec:)**

preprogrammable 16 to 80 sec.

(recommended by AGFA 35sec/100cm/min)

	<b>Tankcapacity</b>	<b>Temperature*</b>	<b>Repl. Rate*</b>
<b>Developer :</b>	12 lt	15 - 45°C	40-2000ml/m <sup>2</sup>
<b>Wash :</b>	11 lt	18 - 55°C	40-2000ml/m <sup>2</sup>
<b>Rinse :</b>	5 lt	18 - 55°C	
<b>Finisher :</b>	5,5 lt	18 - 55°C	40-2000ml/m <sup>2</sup>
<b>Dryer :</b>	-	18 - 60°C	

**Replenishment:**

- controlled by six-sensors, measuring plate area
- activated after 0,1 - 0,999m<sup>2</sup> \* plate area fed into the processor
- antioxidation/standby replenishment, activated after 0-9 hours \*

**Anticrystallisation/  
Selfcleaning Cycle  
during Standby:**

- activated : each 1 - 20 min \*
- cycle time : duration 1 - 3 min \*

**Delayed Start of Transport :**

0 - 10 sec \*

**Filter Replacement Programming:**

0 - 9999 m<sup>2</sup> \*

**Selectable Processing Modes:**

**Automatic:**

Processor goes to a standby „ready“ condition when a process cycle is completed.

**Manual:**

all functions operated manually

**Rewash:**

activated when the rewash feed slot is opened

**Service**

Using the Repl.Pumps to fill the processor tanks after cleaning.

**Monitor**

Used to view and check processor functions.

.....\* all values preprogrammable

**Control:**

**Activate and Monitoring features inform, warn and alert the operator to an error in the system.**

**Solution Levels:**

- Low Level monitoring in Dev-, Wash-, Rinse- and Finisher Tank of processor \*\*
- Automatic Fill Up of above Levels when processor is switched on
- High Level monitoring in Overflow Collection Tank (waste management) \*\*
- Low Level in Repl. Tanks for Wash and Finisher \*\*

**Temperatures:**

High / Low level monitoring of the Dev,Wash,Rinse, Finisher and dryer temperatures.

## ILP 68 LS/OL for Lithotech L540M / L540A

**Water and Energy saving:** Both the Wash and dryer systems activate only when required.

**Work in Progress :** Details the position of the plates through the processor.

**Transport:**

- drive motor overload monitoring \*\*
- plate in/plate out check facility \*\*
- security cover lid switch \*\*
- rewash cover lid switch \*\*

**\*\* when activated will operate an audible warning and a message alert to confirm the error type.**

### Additional Accessories and Features:

- Inbuilt Chiller unit
- A drawer unit within the main frame to house the replenishment and waste collection tanks.
- Split processor frame, allowing easy access through a standard door opening of 70cm (28inch)

		ILP 68 LS/OL	
<b>Weight</b>	Empty	350	kg
	With solution	385	kg

Technical specification subject to change without notice.

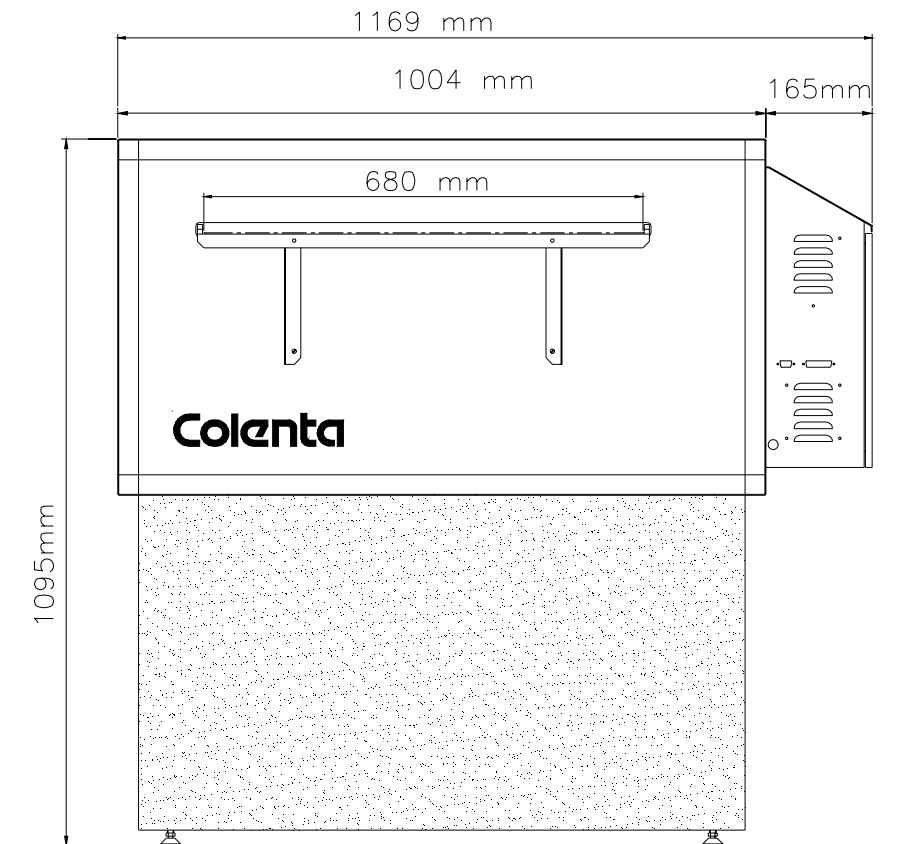
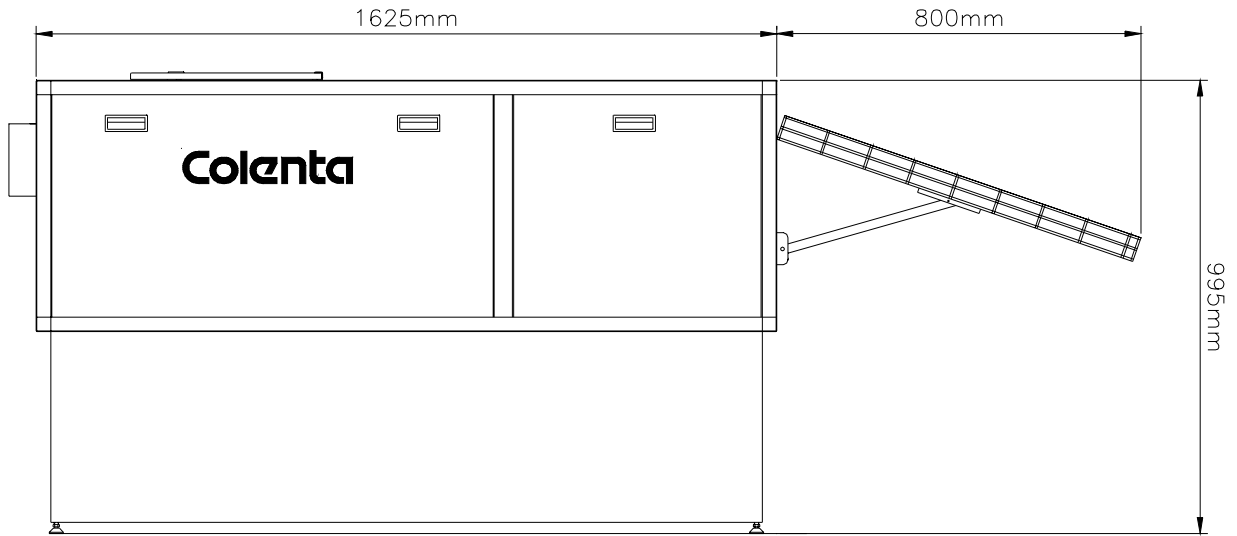
## Details for shipment:

**ILP 68 LS/OL**

<b>packing dimensions:</b>	<b>1 carton box on palette</b>
<b>packing volume:</b>	<b>180cm x 123cm x 143cm (L x W x H)</b>
<b>weight with packing:</b>	<b>3,16 m<sup>3</sup></b>
	<b>420 kg</b>

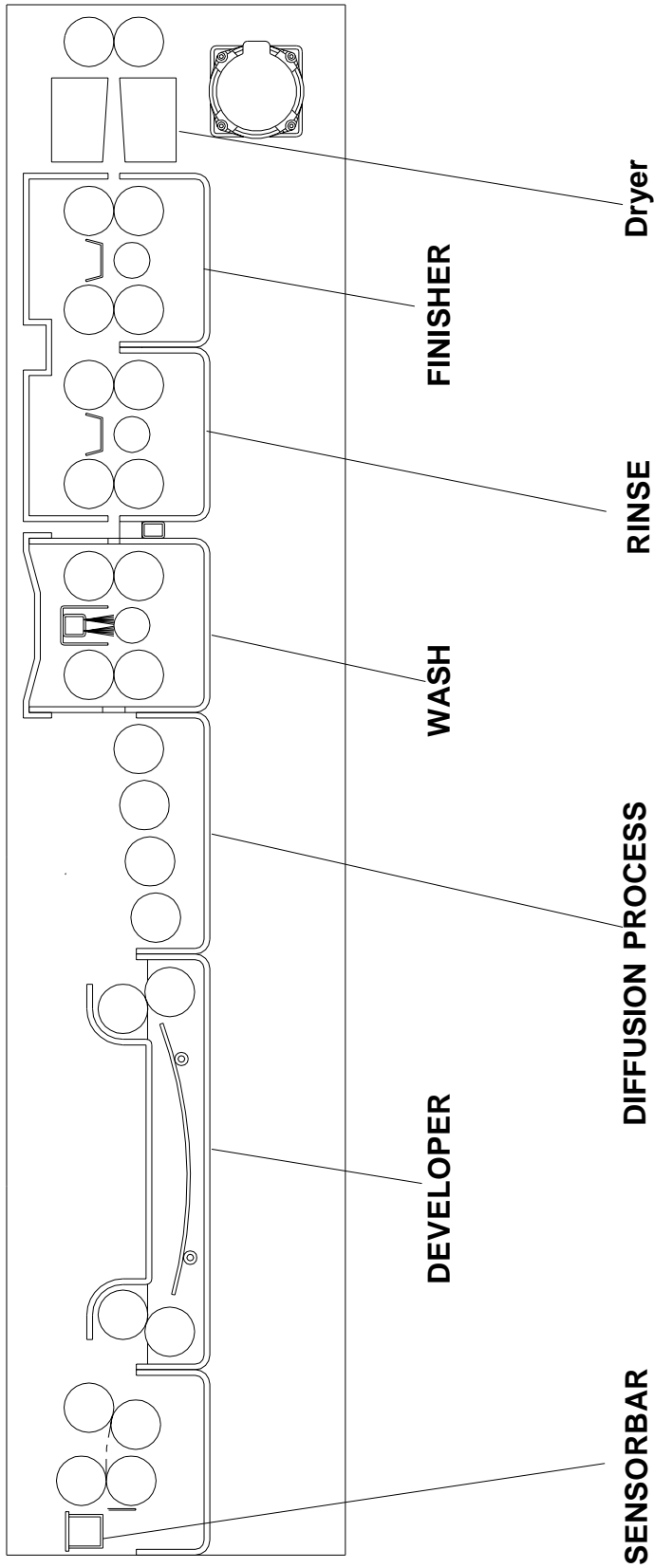
# DIMENSIONEN

## ILP 68 LS/OL



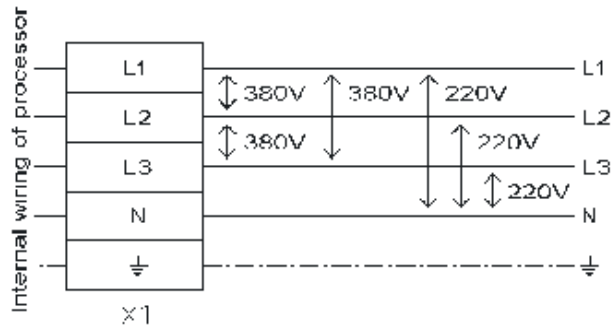
# Transportsystem:

**ILP 68 LS/OL**



# Electrical supply: (Standard, when 3N~400/230V, 50/60 Hz supply available)

**ATTENTION:**  
 PROCESSOR TO BE CONNECTED TO  
 SUPPLY NET: 3N~380/220V 50/60Hz



In case the above voltages are not available at site, please contact your local dealer or the factory for rewiring advice.

**ILP 68 LS/OL**

**6 KW  
 13 A**

**alternatives, to be indicated when ordering**

**ATTENTION:**  
 PROCESSOR TO BE CONNECTED TO  
 SUPPLY NET: 3~220V 50/60Hz

In case the above voltages are not available at site, please contact your local dealer or the factory for rewiring advice.

**ILP 68 LS/OL**  
 3 x 230V, 6 KW  
 20A

**ATTENTION:**  
 PROCESSOR TO BE CONNECTED TO  
 SUPPLY NET: 230V50/60Hz

In case the above voltages are not available at site, please contact your local dealer or the factory for rewiring advice.

**ILP 68 LS/OL**  
 Single Phase  
 230V, 6 KW  
 32A