

# Colenta<sup>®</sup> Imageline Plate<sup>®</sup>

**For positive and negative CTP-Thermal Printing Plates  
IMAGELINE PLATE - TYPE ILP 68/85 TP  
(Available in both Offline and Online options  
for a wide range of Platesetters)**



The Colenta Thermal Plate Processors incorporates all the experience and features of Colenta's now well proven Plate Developing and handling technology to produce printing plates to the highest standards.

**Some details of the features of the COLENTA PlateProcessor design:**

\* A Robust design with ease of operation.

\* A sophisticated Control software monitors and manages the varying range of production conditions in respect to replenishment requirements (including standby and sleepmode replenishment) ensuring a stable plate developer and consistent good quality production.



(shown with ILP PlateStacker)

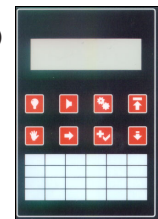
**Standard Features and Accessories:**

- Low Level monitoring for the DEV-tank
- Automatic Solution Tank „Top-Up“ control on „Start-Up“
- High level monitoring for DEVELOPER overflow collection tank
- Low Level monitoring for DEVELOPER replenishment tank
- Re-Wash Feed Facility
- „Safe Loading“ control
- „Work in Progress“ monitoring
- Sleep Mode for overnight and weekends
- Automatic cleaning cycle for the gum section before entering the sleepmode
- Integrated Chiller unit

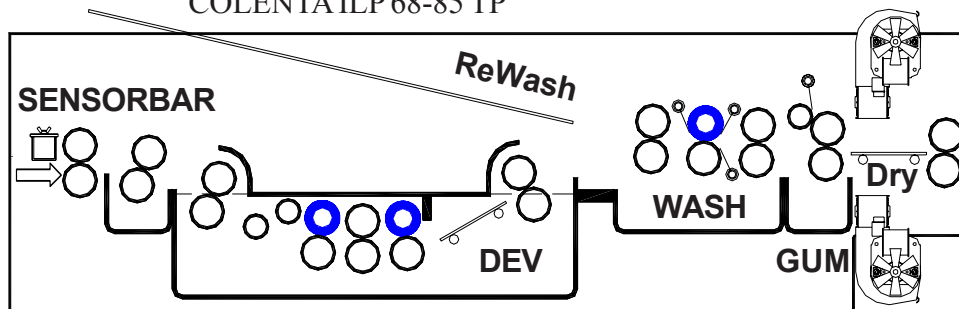
**Optional:**

- processor control software (Windows)
- PlateStacker 4up and 8up

**Microprocessor controlled Display**



COLENTA ILP 68-85 TP



**Technical Specifications:**

**Processing applications:**

**Plate width:**

**Microprocessor Control:**

**Transport Speed at 20 sec DEV-Time:**

**Brushconfiguration DEV:**

CtP-Thermal Printing Plates positive/negative\*  
max. 68 / 85 cm

With 4 preprogrammable processing cycles  
and 1 overnight program (SLEEPMODE)

125cm/min - 49 inch/min

depending on the type of plates in use,  
1, 2 or none to be in use



|                    | Tankcapacity ILP 68 TP | Tankcapacity ILP 85 TP |
|--------------------|------------------------|------------------------|
| <b>Developer :</b> | 40 lt                  | 48 lt                  |
| <b>Wash :</b>      | Open system            | Open system            |
| <b>Gum :</b>       | Closed system          | Closed system          |

All the replenishment and waste collection tanks are located within the base frame of the processor. (waste management)

|   |        |        |
|---|--------|--------|
| <b>Electrical supply:</b>               | 7,0 KW | 7,4 KW |
| <b>at 3N-400/230V</b>                   | 13 A   | 13A    |
| (alternatives are available on request) |        |        |

|                |               |        |        |
|----------------|---------------|--------|--------|
| <b>Weight:</b> | Empty         | 350 kg | 385 kg |
|                | With solution | 390 kg | 425 kg |

**Colenta**

see additional  
Data sheet:

Technical specification subject to change without notice.

COLENTA LABORTECHNIK  
Ges.m.b.H. & Co. KG  
Neunkirchner Strasse 117  
A-2700 Wiener Neustadt  
Tel.: +43-2622-28311-0  
Fax: +43-2622-28311-7  
E-mail: [office@colenta.at](mailto:office@colenta.at)

ACI-COLENTA  
INTERNATIONAL Div.  
Forge Close, Little End Rd,  
Eaton Socon, Cambs. UK  
Tel. +44-1480-211118  
Tel. +44-1480-215236  
Fax: +44-1480-215236  
Fax: +44/870/132 1352  
E-mail: [aci@patflaherty.com](mailto:aci@patflaherty.com)