

Colenta[®] Water Panel

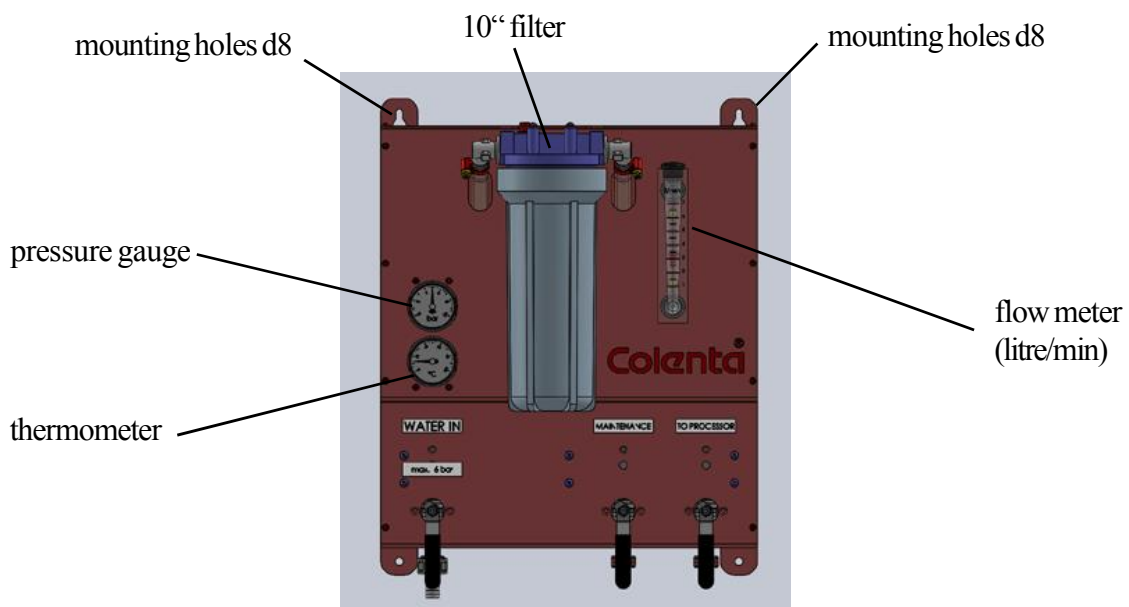
The importance of the water quality to a processor very often gets overlooked which, as a result, can cause unnecessary problems.

A clean and stable flow rate of water will ensure that film is washed efficiently to help ensure the optimum processing quality.

The incoming water supply should be clean and well filtered and at the required flow rate specified for the model of processor.

The **Colenta Water Panel**, includes a 10 inch filter housing for use with 5-10 micron filter elements that will remove the many different deposits found in a water supply which can cause damage to image quality.

A **pressure gauge** and **thermometer** are also included to monitor the water temperature and water pressure, in addition a flow meter is installed to provide a visual display on the amount of water entering the processor at all times.

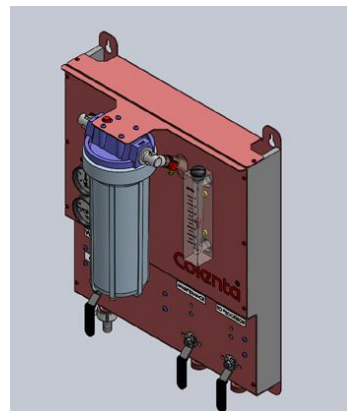
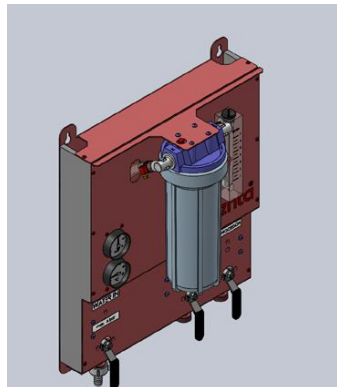
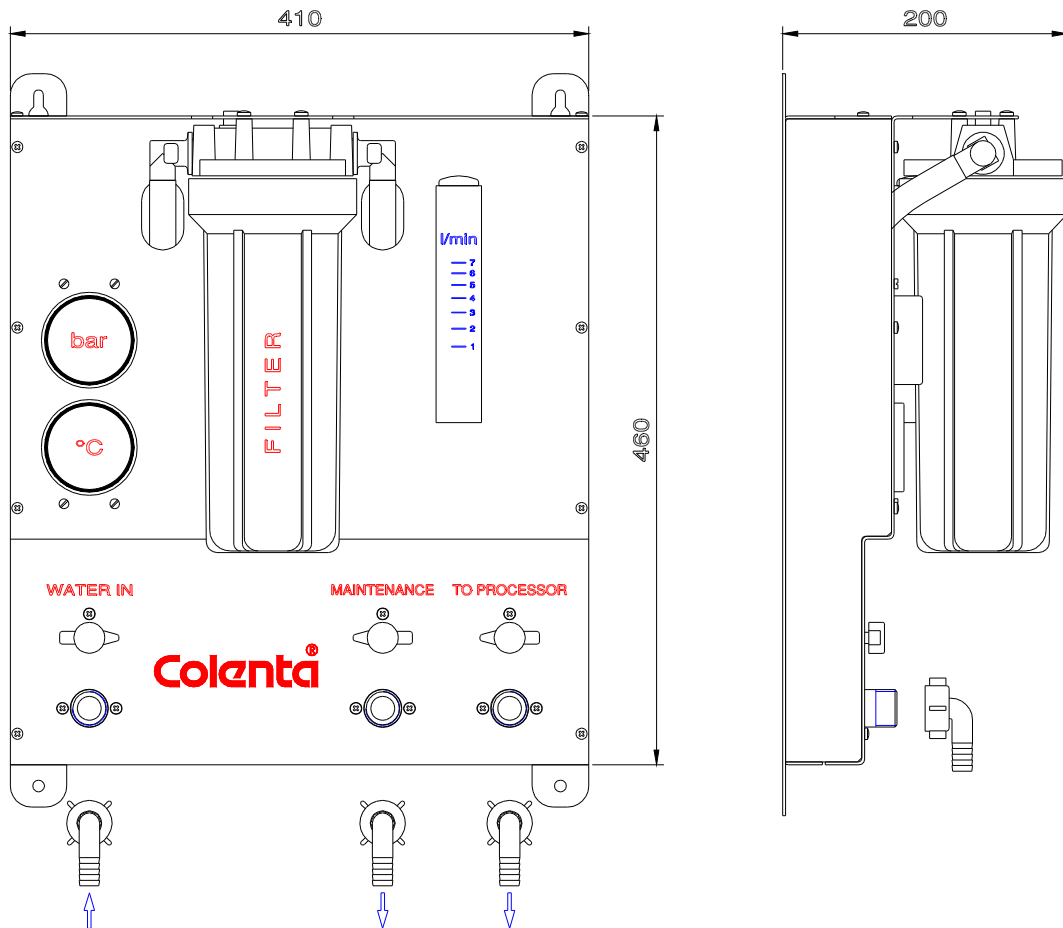


Colenta[®]

COLENTA LABORTECHNIK
Ges.m.b.H. & Co. KG
Neunkirchner Strasse 117
A-2700 Wiener Neustadt
Tel.: +43-2622-28311-0
Fax: +43-2622-28311-7
E-mail: office@colenta.at
<http://www.colenta.at>

Colenta[®] Water Panel

DIMENSIONS:



max. allowed water pressure: 5bar
max. allowed water temperature: 50C°