

data sheet

Colenta[®]

ECO Line RA4 Paperprocessor



Colenta[®]

ECO Line Paper Processor 56 or 80 cm 4Tank format.
Available for RA4 in Wash water format.

08/2022 AN



ECO Line Paper Processor 56 and 80 RA4 50 4Tank Wash

Models available:

- 56 RA4 50 - 4Tank Wash
- 80 RA4 50 - 4Tank Wash



Technical Specifications:

Processing applications:

RA4 Paper - digital & conventional applications.

Process width:

56 RA...max. 56 cm (22 inch)

80 RA...max. 80 cm (32 inch)

Microprocessor Control:

- with 6 preprogrammable processing cycles



Transport Speed (at 45 sec DEV-Time): 50 cm/min

Tankcapacities:

56 RA 50 4T

80 RA 50 4T

Developer	:	7,5 lt	10 lt
Bleachfix	:	8 lt	10,5 lt
Wash1	:	8 lt	10,5 lt
Wash2	:	8 lt	10,5 lt

Replenishment:

- controlled by opto-sensors, measuring film area (touchless)
- activated after 0,1 - 0,999m² * film area fed into the processor
- antioxidation/standby replenishment, activated after 0-9 hours *

Temperatures:

High / Low level monitoring of the Developer and BleachFix

Work in Progress :

Details the position of the media through the processor.

Transport:

- Drive motor overload monitoring *
- Security cover lid switch *

*** when activated will operate an audible warning and a message alert to confirm the error type.**

Accessories included:

- rack carrier drip tray
- CE marking
- small user spare part kit
- 2 x 30 litre replenisher tanks



optional accessories :

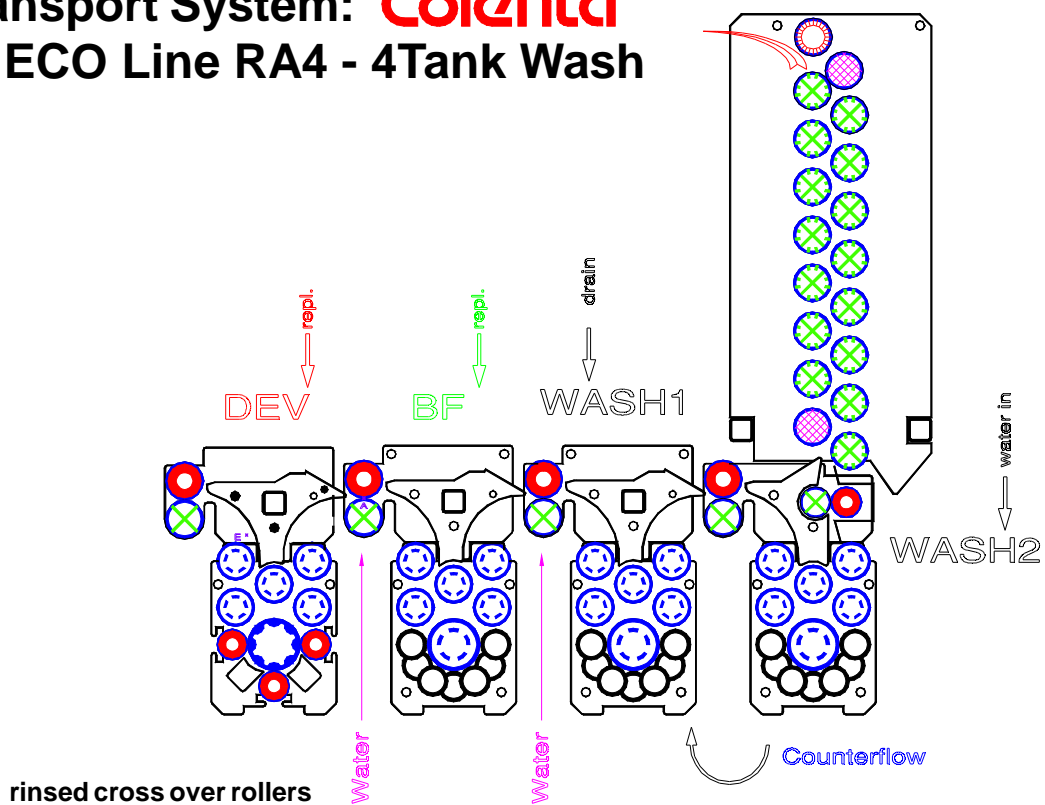
- water panel
- 2 position chemical mixing console
- open stand
- low level monitoring for external replenisher containers

see available options on price list.

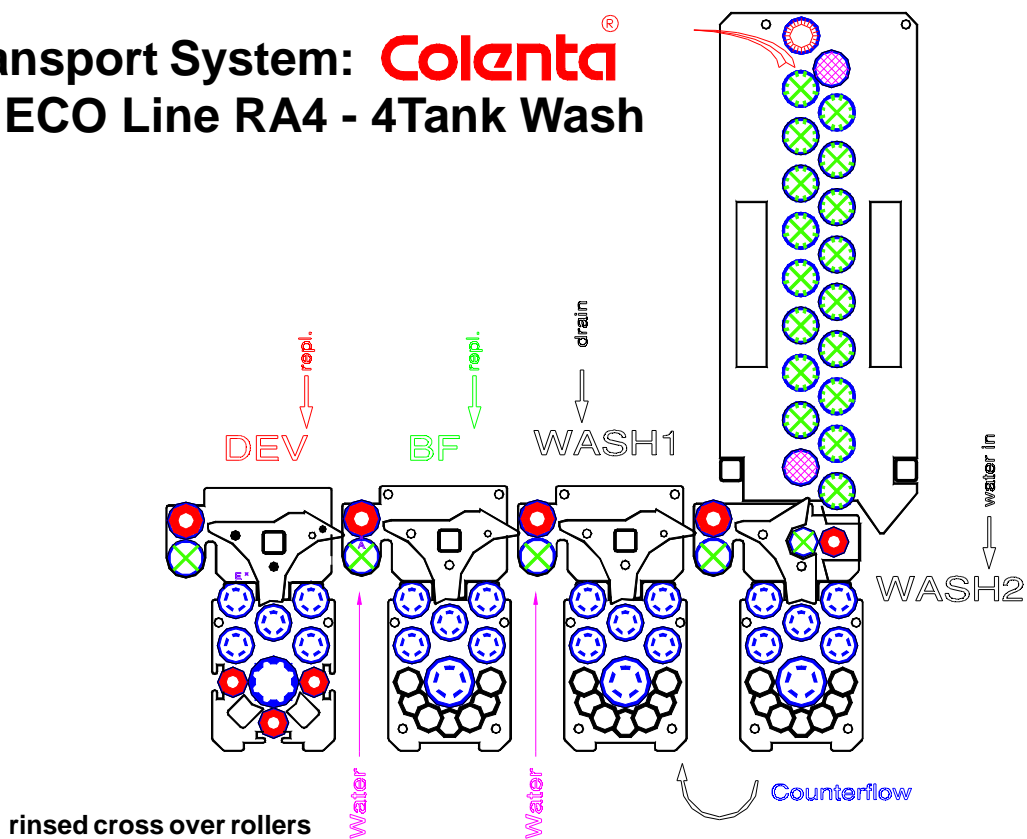
Technical specification subject to change without notice.



Transport System: Colenta[®] 56 ECO Line RA4 - 4Tank Wash

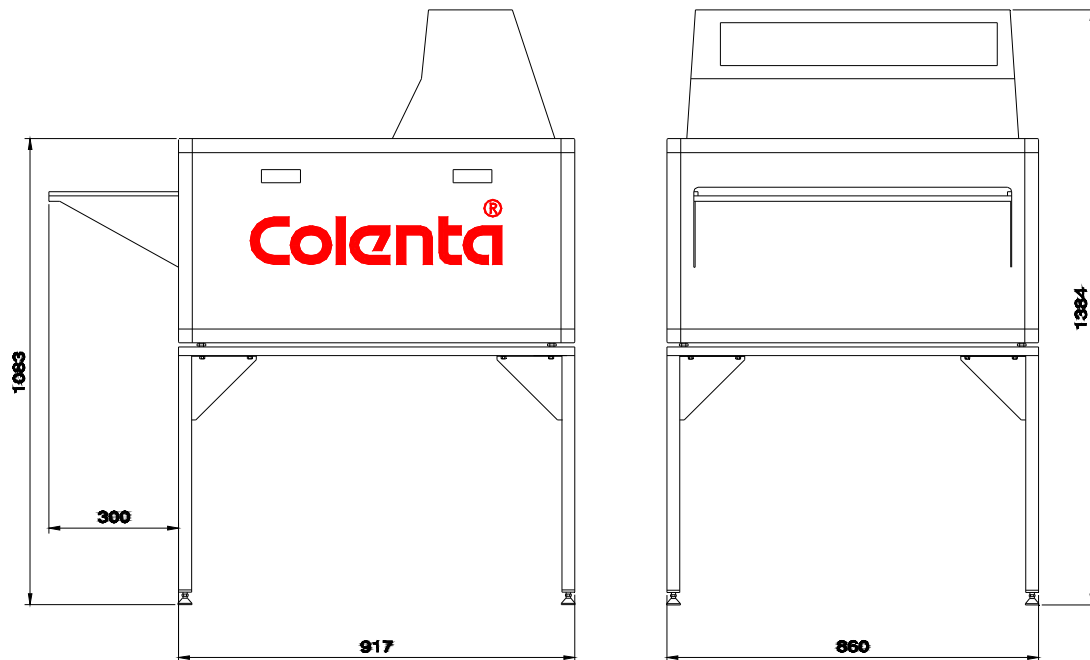


Transport System: Colenta[®] 80 ECO Line RA4 - 4Tank Wash



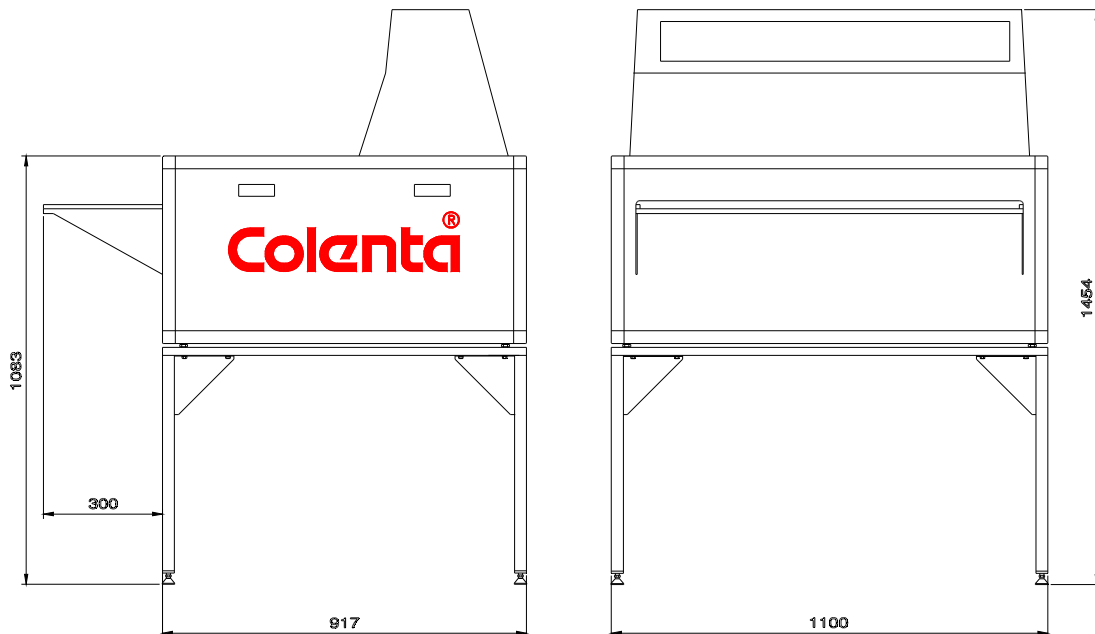
Dimensions: Eco Line

56 RA4 50 4Tank



Dimensions: Eco Line

80 RA4 50 4Tank



+ all dimensions are in mm

+ we recommend a minimum walking space of 60cm around the processor.

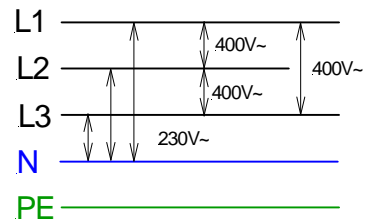
Electrical supply : **Colenta**[®] Eco Line

56 RA4 50 4Tank

~230V Single Phase
50/60Hz
3,1 kW / 16A

80 RA4 50 4Tank

3N~400/230V,
50/60Hz
4,7 kW / 13A



Packing dimensions : **Colenta**[®] Eco Line

56 RA4 50 4Tank

packing dimensions: 1 wooden box on palette
150cm x 94cm x 111cm (L x W x H)
packing volume: 3,405 m³
weight with packing: 250 kg

80 RA4 50 4Tank

packing dimensions: 1 wooden box on palette
150cm x 118cm x 111cm (L x W x H)
packing volume: 3,136 m³
weight with packing: 315 kg

Optionals: **Colenta®** RA4 Eco Line



Colenta®
Water Supply Panel assy
(see extra documentation)



Colenta®
2x40L / 2x80L Mixing Concole
(see extra documentation)

NOTES :
