

# data sheet

**Colenta**<sup>®</sup> Colenta New Generation  
140 RA4 Widetrack

## WideTrackProcessor

140 RA4 80 4Tank WASH Eco

140 RA4 80 5Tank WASH Eco



**Colenta**<sup>®</sup>



**Colenta DIGITAL Processor - Available for RA4 Print / Duratrans for both digital and conventional applications.**

11/2019 AN

# Colenta<sup>®</sup> WideTrack Processor

## 140 RA4 80 4Tank WASH Eco

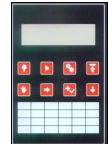
**Technical Specifications:**

**Processing applications:** RA4 Print / Duratrans for both digital and conventional applications.

**Process width:** 140 RA 80...max. 140 cm (55 inch)

**Microprocessor Control:** - with 6 pre-programmable processing cycles

**Transport Speed (at 45 sec DEV-Time):** - 140 RA 80cm/min (32 inch/min)  
(Dev time is pre-programmable)



<i>Tank capacities:</i>	140 RA 80 4Tank Wash	140 RA 80 4Tank Wash
<b>Developer</b> :	42 lt (incl filter)	42 lt (incl filter)
<b>Bleachfix</b> :	32 lt (incl filter)	32 lt (incl filter)
<b>Wash 1</b> :	30 lt	30 lt
<b>Wash 2</b> :	30 lt	30 lt
<b>Wash 3</b> :	N/A	30 lt

All Colenta Wide Track models are micro processor controlled and provide a fully automatic Dry to Dry service for both cut sheet and long roll through a well proven minimum contact hard roller transport system.

Dual programme facilities provide a fast change between RC Print and Film production modes and allow complete flexibility for programming parameters to meet precise process requirements.

**Replenishment:** - precisely controlled using opto-sensors to measure the area loading.  
- activated after a pre-set print/film area is fed into the processor

**High efficiency drying:** An integrated flat path warm air drying system with airknives

**Temperatures:** All solution temperatures are accurately controlled and monitored with automatic cooling.

**Transport: Drive motor:** precisely controlled by electronic feed-back to ensure consistant developer timing

**Standard Accessories:-**

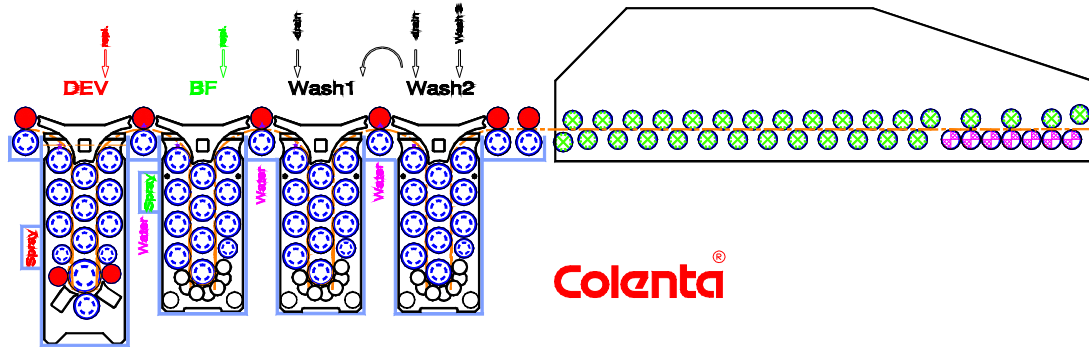
- # Level control for all Processing tanks      # Rack Carrier/Drip Tray
- # Replenishment storage tanks                # water supply / drain connectors

**Optional Accessories:**

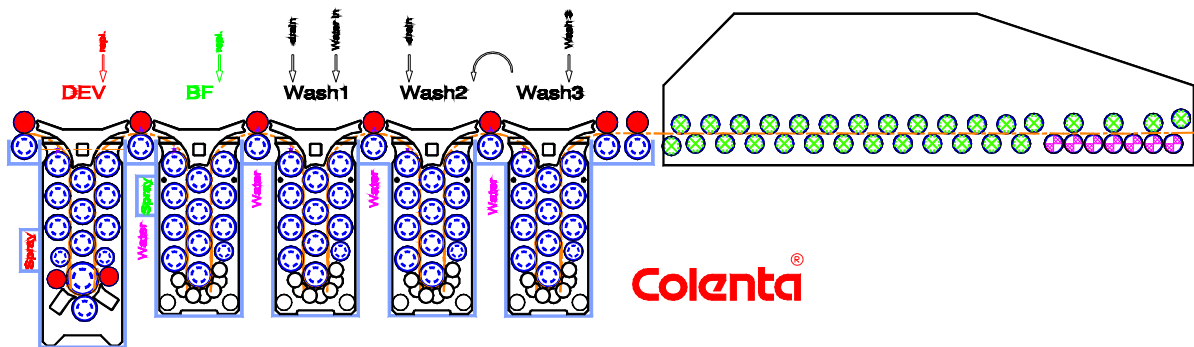
- # Inbuild Roll feed unit to include into the light tight feed box and long roll feed cradle with spool bobbins
- # Motorised Roll Take-Up                      # extra spool bobbins
- # water supply panel                            # 2 position chemical mixing concole (2x40L / 2x80L)

Technical specification subject to change without notice.

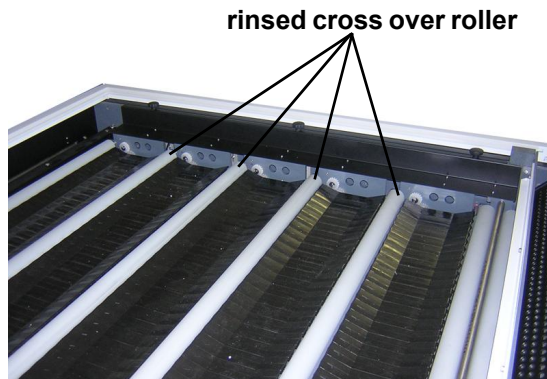
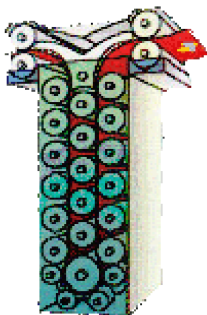
## Transport system: 140 RA4 80 - 4T WASH Eco



## Transport system: 140 RA4 80 - 5T WASH Eco



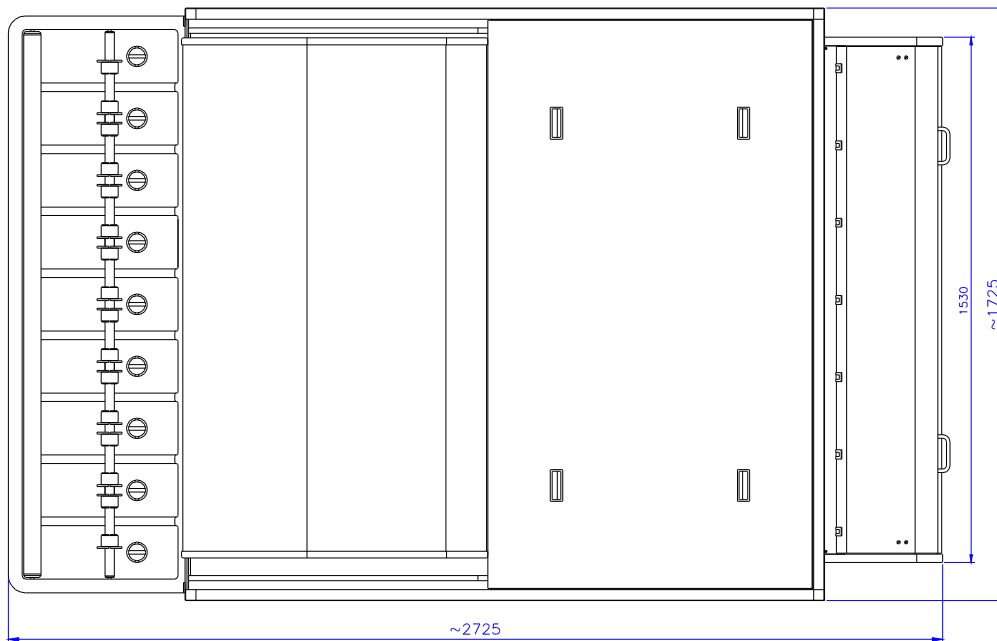
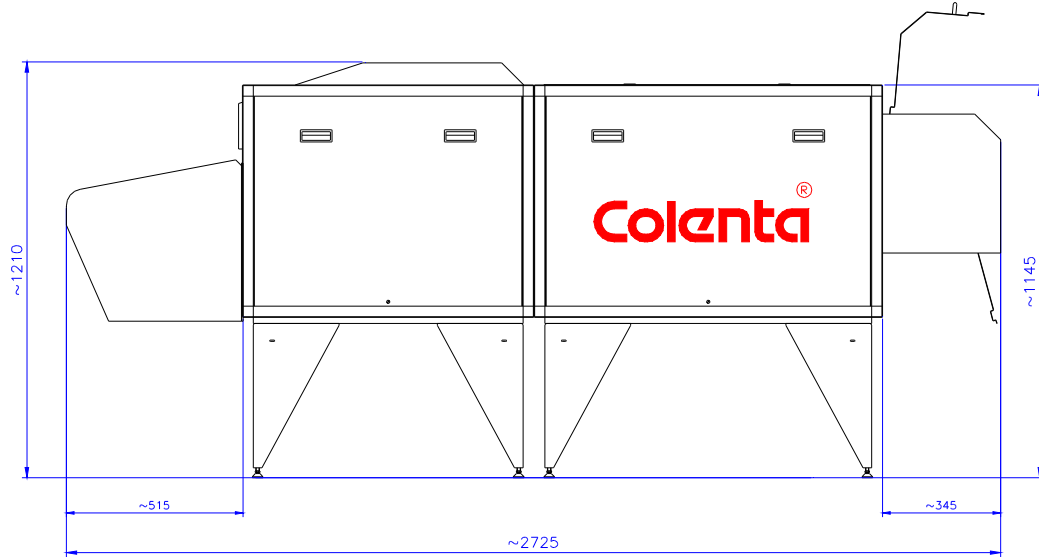
All transport modules (racks) and tanks are designed to reduce chemical oxidation to an absolute minimum. This together with our accurate replenishment, temperature control and constant circulation ensures all processing parameters are maintained within pre-set programmable limits.



Water rinsed cross over rollers are in place in order to minimize the chemical carry over from one tank to the next as well to keep the cross over section clean and free from any chemical deposits.

# DIMENSIONS:

## 140 RA 80 4Tank Wash Eco

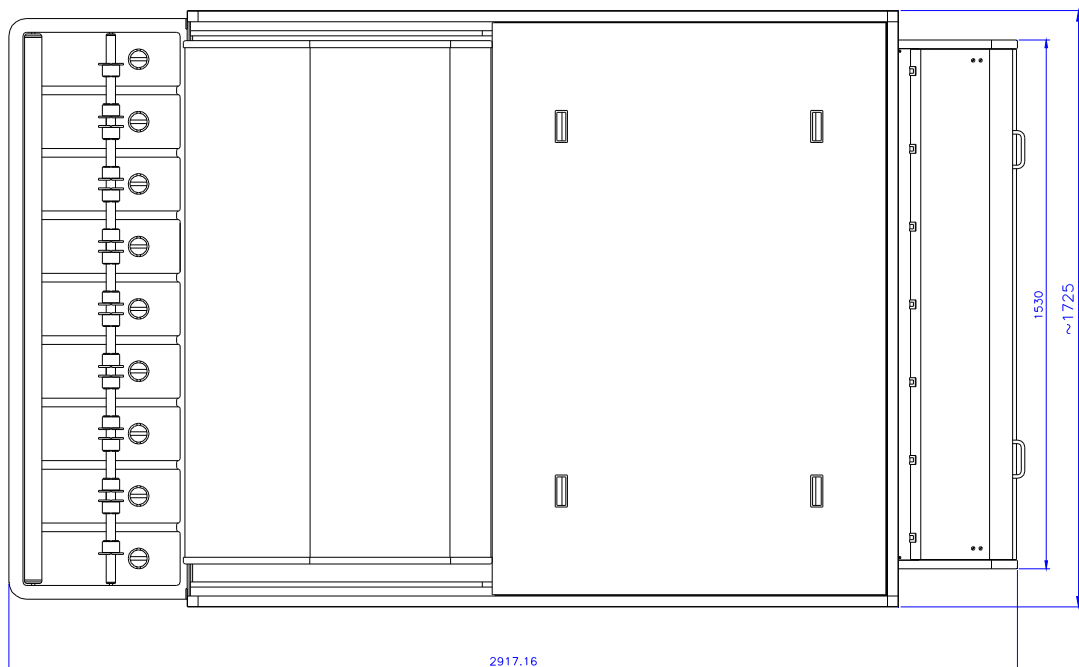
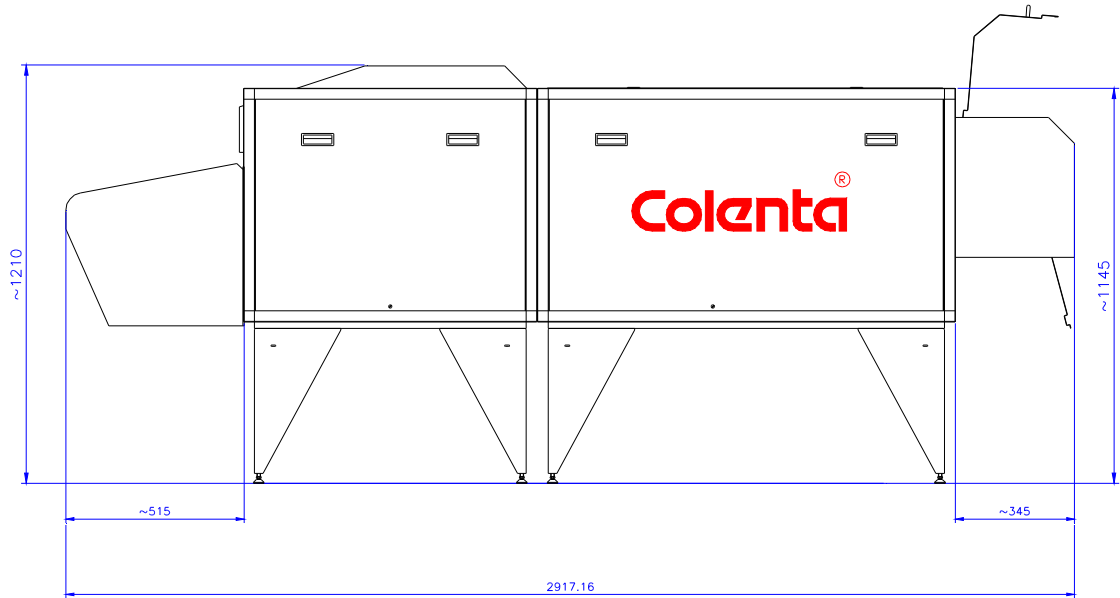


\*\*.....all the dimension in MM

**We recommend a minimum walking space of 60cm around the processor.**

# DIMENSIONS:

## 140 RA 80 5Tank Wash Eco



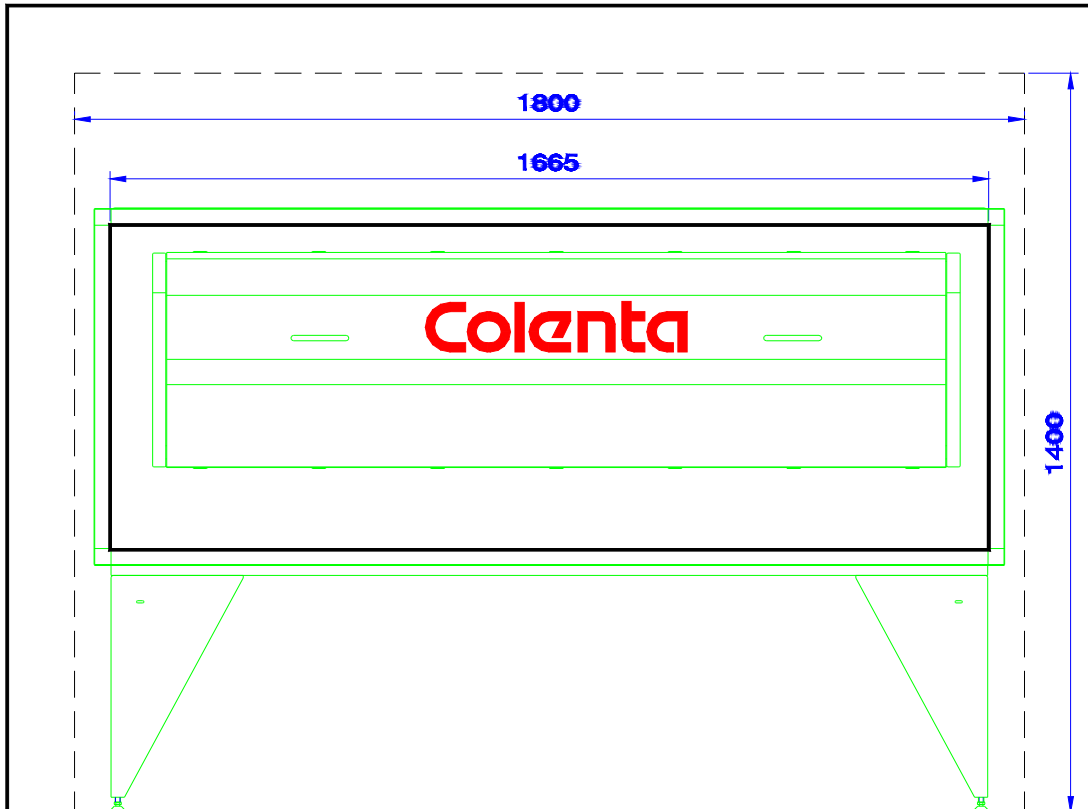
\*\* .....all the dimension in MM

**We recommend a minimum walking space of 60cm around the processor.**

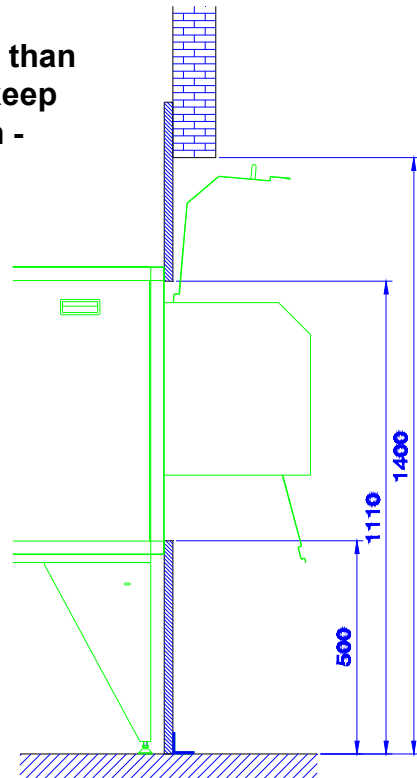
Colenta 140 RA 80 4Tank / 5Tank Wash Eco

Specifications for wall-opening when the processor has to be installed that way:

**140 RA 80 4/5Tank Wash Eco**



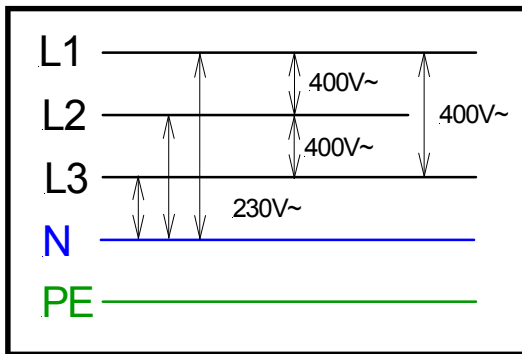
In case the thickness of the wall is more than 2cm, a panel has to be installed this to keep the cover lid of the processor in position - as shown below:



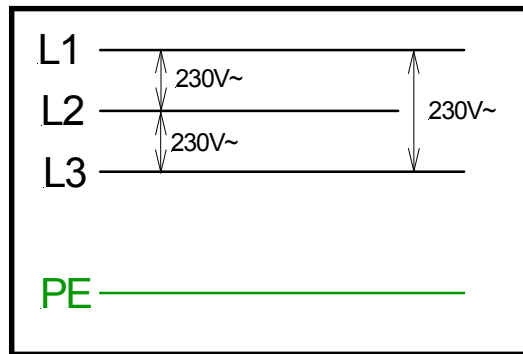
**Electrical supply:** Standard, when 3N~400/230V,  
**Colenta®** 50/60 Hz supply available

Total power consumption:	
140 RA4 80 4 Tank WASH Eco .....	14.5 kW
140 RA4 80 5 Tank WASH Eco .....	14.5 kW

Standard supply net:  
 3N-400/230 VAC 56/60Hz



Alternatively:  
 3x230V 50/60 Hz



Single phase connections  
 (230VAC - 50/60Hz)  
 on request only.

To be indicated and confirmed  
 when ordering!

**Details for shipment:** **Colenta®**

**COLENTA 140 RA4 80  
 4Tank WASH Eco**

**COLENTA 140 RA4 80  
 5Tank WASH Eco**

Collo 1: 200x120x140cm, 310 kg  
 Collo 2: 174x160x110cm, 600kg  
 Collo 3: 200x200x140cm, 620kg

Collo 1: 200x120x140cm, 310 kg  
 Collo 2: 174x160x110cm, 600kg  
 Collo 3: 200x200x140cm, 620kg

## Colenta 140 RA 80 4Tank / 5Tank Wash Eco

### **Colenta®** *Wide Track RA4 Paper Processor - optional accessories :*



**Colenta®**  
Water Supply Panel assy  
(see extra documentation)



**Colenta®**  
2x40L / 2x80L Mixing Concole  
(see extra documentation)



**Colenta®**  
140 roll feed assy



**Colenta®**  
140 motorized roll take up assy

