

LEAD SHIELDED WINDOWS



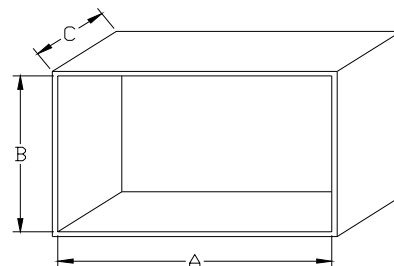
Standard dimensions of lead glass windows:

24 x 30 cm	Pb 2 mm		
30 x 40 cm	Pb 2 mm		
40 x 50 cm	Pb 2 mm		
40 x 60 cm	Pb 2 mm		
50 x 60 cm	Pb 2 mm		
50 x 100 cm	Pb 2 mm	Pb 3 mm	
60 x 80 cm	Pb 2 mm	Pb 3 mm	
60 x 100 cm	Pb 2 mm	Pb 3 mm	
80 x 80 cm	Pb 2 mm	Pb 3 mm	
80 x 100 cm	Pb 2 mm	Pb 3 mm	Pb 5 mm
80 x 120 cm	Pb 2 mm	Pb 3 mm	Pb 5 mm
80 x 140 cm	Pb 2 mm	Pb 3 mm	

Standard Lead equivalents:

2 mm Pb, 3 mm Pb, 5 mm Pb

Other's on request!



LEAD GLASS WINDOWS:

Made from special lead glasses, with high transparency specifications, granting homogeneous shielding for the whole surface of the glass.

Each window is complete with shielded frame and counterframe (extruded aluminium).

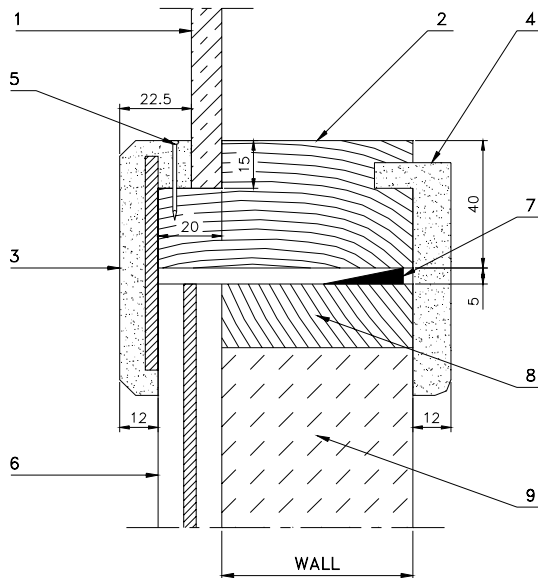
Frame size is depending on the thickness of the wall (drawing: C - mandatory to be indicated!)

LEAD GLASS

With the same specifications, measurements and lead equivalents as above can of course be ordered separately as well (without frames)!

Special sizes - not listed above - on request!

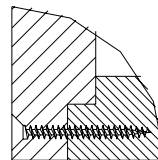
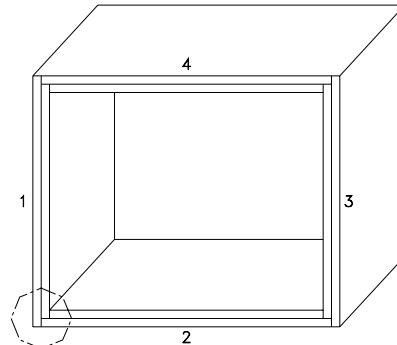
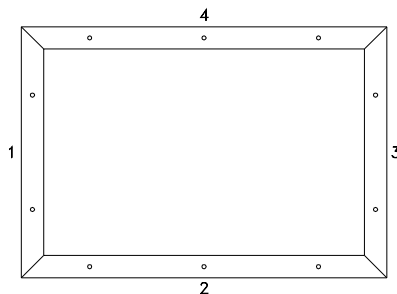
MOUNTING INSTRUCTIONS:



- 1 LEAD GLASS / *CRISTAL ANTIX*
- 2 SUPPORTING LEAD-GLASS BOX / *CAISSON QUI SOUTIENNES LE CRISTAL*
- 3 LEAD FRAME DIAGNOSTIC SIDE / *CADRE-OUTE DIAGNOSE*
- 4 FRAME CONTROL SIDE / *CADRE-OUTE COMMANDE*
- 5 FIXING RIVET / *CLOU DE FIXAGE*
- 6 LEAD PANEL / *PANNEAU ANTIX OU EST PRESENT*
- 7 WEDGE / *COIN OU EPAISSEUR*
- 8 WOODEN BOX MAXIMUM THICKNESS cm 2 / *FAUX CEDRE EPAISSEUR MAX. cm 2*
- 9 MANSORY WALL OR SIMILAR (THICKNESS MUST BE PRECISELY INDICATED) / *PAROIEN MAOUNNERIE OU AUTRE (IL FAUT INDIQUER L'EPAISSEUR AVEC PRECISION)*

SUPPORTING LEAD-GLASS BOX / *CAISSON QUI SOUTIENNES LE CRISTAL*

FRAME AND COUNTER FRAME / *CADRE ET CONTRE CADRE*



COLENTA LABORTECHNIK
Ges.m.b.H. & Co. KG
Neunkirchner Strasse 117
A-2700 Wiener Neustadt
Tel.: +43-2622-28311-0
Fax: +43-2622-28311-7
E-mail: office@colenta.at
<http://www.colenta.at>

ACI - ART COLENTA
INTERNATIONAL Ltd.
Forge Close, Little End Road,
Eaton Socon, Cambs. UK
Tel. +44-1480-211118
Fax: +44-1480-215236
E-mail: aci@patflaherty.com