

## DX Easy Imaging DR Retrofit Kit PE 1417/PE 1717, WL/W

The **DX Easy Imaging DR Retrofit Kit PE 1417/PE 1717, WL/W** (wireless / wired Cesium Iodide) is the latest State of The Art direct X-Ray sensitive, portable, Flat Panel Detector 14"x17" or 17"x17" dimensions with a high performance to ensure better image quality with lower doses. Permanent charging with backup cable with a magnetic charging connector.

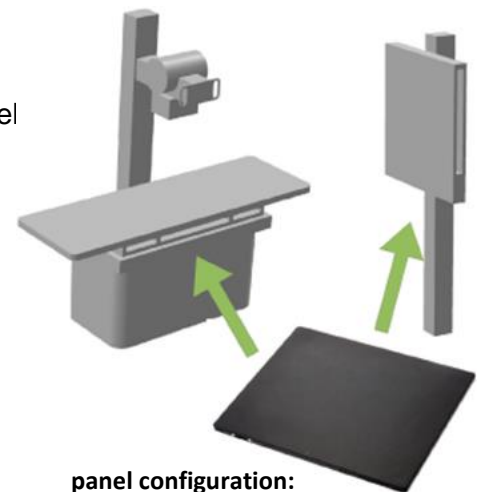
This **DR Panel** is a digital radiography detector with the large field coverage area of 14"x17" or 17"x17" designed for general radiographic application using Colenta image processing software **DX Easy Imaging X-AQS**.

This **DR Panel** can be installed in a single or dual or multiple detector-configuration depending on the required applications. For dual or multiple detector-configurations, the **Colenta DR Panel** can also be installed in combination with other flat panel detector models of Colenta.



### Features & Benefits

- ✓ Use with existing X-Ray equipment
- ✓ Slim and light-weight design, approx. 3 kg or 4 kg
- ✓ Same dimensions as 14"x17" or 17"x17" film cassettes/CR panel
- ✓ Attachable tethered cable (optional) for Image Acquisition and Transmission through Gigabit Ethernet interface
- ✓ Brilliant Modulation Transfer Function (MTF)
- ✓ Automatic Exposure Detection AED, no need for interface to X-Ray generator
- ✓ 14 bit signal digitalization provides Wide Dynamic Range
- ✓ Image acquisition and transfer time within some seconds
- ✓ Communication through WLAN (IEEE 802.11n)
- ✓ Fully compatible with DICOM 3.0<sup>1)</sup> standard
- ✓ Reduced X-Ray dose for patient safety
- ✓ Interchangeable, rechargeable panel battery
- ✓ Optimized algorithms for each different body part
- ✓ Simple & easy integration with all kinds of digital radiography systems
- ✓ Empowered by DX Easy Imaging X-AQS Software



panel configuration:  
single, dual or multiple  
(symbolic image)

### COLENTA DX Easy Imaging Software

The **X-AQS Image Acquisition Software** enables an image preview in approximately 5 seconds after X-Ray exposure for prompt image previewing/confirmation.

The **X-AQS Image Processing Software** provides consistent and excellent image quality, using optimized algorithms for each different body part, allowing various pre-set image processing modes for different studies, at considerably reduced X-Ray dose.

The **X-AQS DX Easy Imaging Software** is fully DICOM 3.0 compatible, providing image data transfer to any DICOM device, PACS<sup>2)</sup> or RIS, for efficient data management, printing, archiving and remote image viewing.

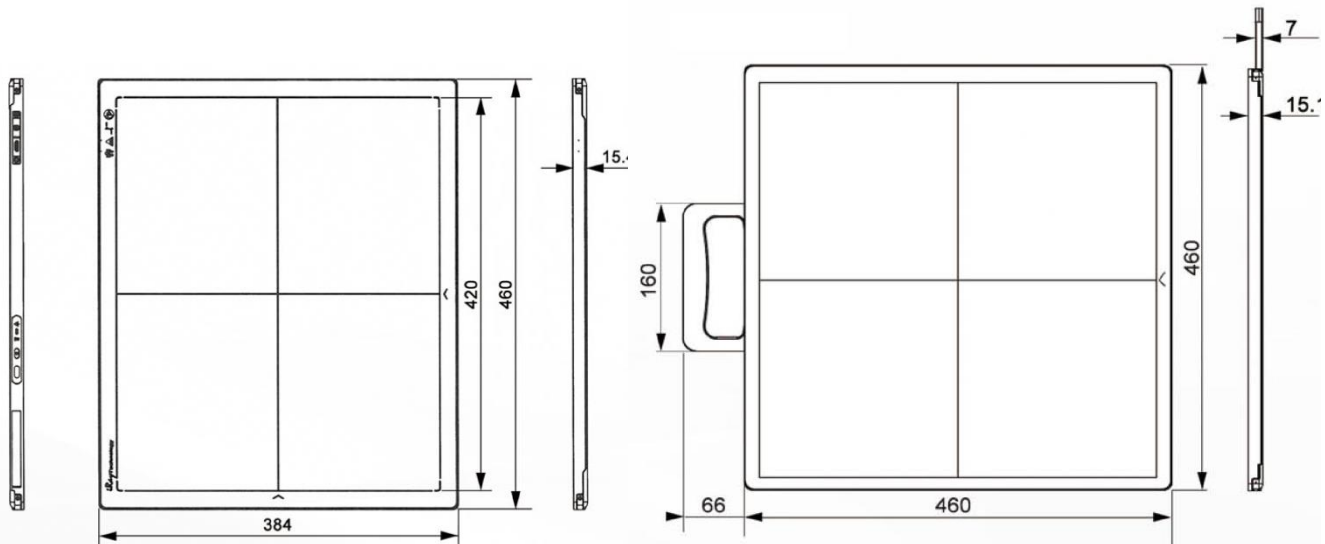
<sup>1</sup> DICOM Digital Imaging and COmmunications in Medicine

<sup>2</sup> PACS Picture Archiving and COmmunication System

# DX Easy Imaging DR Retrofit Kit PE 1417/PE 1717, WL/W

## Specifications

<b>Technology</b>	Flat Panel Detector, Amorphous Silicon
<b>Scintillator</b>	CsI (Directly Deposit)
<b>Active area</b>	14" x 17"(PE 1417), 17" x 17" (PE 1717)
<b>Resolution</b>	2.304 x 2.800 Pixel (PE 1417), 3.072 x 3.072 Pixel (PE 1717),
<b>Pixel pitch</b>	150 µm x 150 µm (PE 1417), 139 µm x 139 µm (PE 1717)
<b>Grayscale</b>	14 Bit (16.383)
<b>Image acquisition time</b>	≤ 5s (PE 1417), ≤ 7s (PE 1717)
<b>Method of Exposure (trigger)</b>	DR Trigger / i-Sync 2(AED)
<b>Image transfer</b>	wired Ethernet / WIFI (wireless communication)
<b>Wireless Mode</b>	2.4G / 5G, with internal AP
<b>Internal Image Storage</b>	200 full size images
<b>Battery Operating Time</b>	> 4 hours (PE 1417), > 2 hours (PE 1717)
<b>Battery charging time empty to full</b>	approx. 2 hours
<b>Water Proof</b>	IPX1 (PE 1417), IPX0 (PE 1717)
<b>Drop Monitoring</b>	Realtime
<b>Limiting Resolution</b>	3.3 lp/mm (PE 1417), 3.4 lp/mm (PE 1717)
<b>DQE @ 0.1 LP/mm(1.2uGy)</b>	65%
<b>Dimensions</b>	384mm (H) x 460mm (V) x 15.2 (D) mm (PE 1417) 460mm (H) x 460mm (V) x 15.2 (D) mm (PE 1717)
<b>Power Consumption</b>	13W
<b>Adapter</b>	AC input 110~240V, 50~60Hz
<b>Weight</b>	3.7 kg (8.16 lbs), PE 1417 – 4.7 kg (10.36 lbs), PE 1717
<b>Operating Environment</b>	+5 °C to +30 °C; 45 % to 85 % noncondensing humidity
<b>Storage and transport</b>	-10 °C to +40 °C; 45 % to 85 % noncondensing humidity
<b>Capture console, consisting of</b>	Capture Workstation with a Touch Screen Monitor, X-AQS DX Easy Imaging Software, Charging dock



Software controls detector, image acquisition and optimization, connects dose area product measurement device. Optional with fully integrated **DX Easy Imaging X-AQS PACS** solution.

*Specifications are subject to change without notice. All brand names or trademarks are the property of their respective owners. In some countries, regulatory approval may be required to import medical devices.*

**COLENTA Labortechnik GmbH & Co. KG**

Neunkirchner Str. 117

A-2700 Wiener Neustadt, Austria

Tel.: +43(0)2622-28311-0 Fax: +43(0)2622-28311-7

**E-Mail: office@colenta.at**