

DX Easy Imaging DR Retrofit Kit 1417 / 1717 - WL

The DR Panel of the **DX Easy Imaging DR Retrofit Kit 1417 / 1717 - WL** is the latest state of the art direct X-Ray sensitive, portable flat panel detector 14"x17" or 17"x17" dimensions with a high performance to ensure better image quality with lower doses. Also with the possibility of permanent charging with the included backup cable connected by a magnetic charging connector.

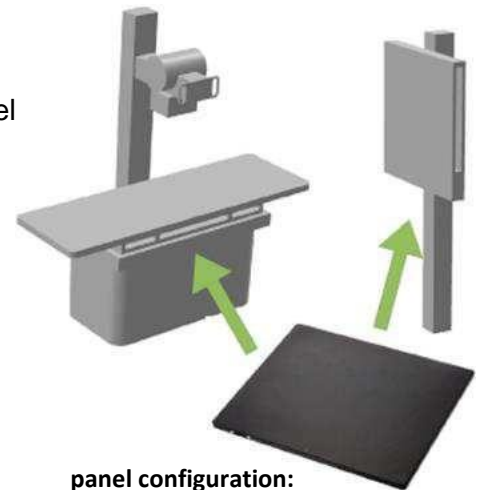
This **DR Panel** is a digital radiography detector with the large field coverage area of 14"x17" or 17"x17" designed for general radiographic application using Colenta image processing software **DX Easy Imaging X-AQS**.

This **DR Panel** can be installed in a single or dual detector-configuration depending on the required applications. For dual detector-configurations, the **Colenta DR Panel** can also be installed in combination with other flat panel detector models of Colenta.



Features & Benefits

- ✓ Use with existing X-Ray equipment
- ✓ Slim and light-weight design, approx. 3,43 kg or 4,3 kg
- ✓ Same dimensions as 14"x17" or 17"x17" film cassettes/CR panel
- ✓ Attachable tethered cable (optional) for Image Acquisition and Transmission through Gigabit Ethernet interface
- ✓ Brilliant Modulation Transfer Function (MTF)
- ✓ Automatic Exposure Detection AED, no need for interface to X-Ray generator
- ✓ 16 bit (1417) / 16 bit (1717) signal digitalization provides Wide Dynamic Range
- ✓ Image acquisition and transfer time within some seconds
- ✓ Communication through WLAN (IEEE802.11a/b/g/n/ac)
- ✓ Fully compatible with DICOM 3.0¹⁾ standard
- ✓ Reduced X-Ray dose for patient safety
- ✓ Interchangeable, rechargeable panel battery
- ✓ Optimized algorithms for each different body part
- ✓ Simple & easy integration with all kinds of digital radiography systems
- ✓ Empowered by DX Easy Imaging X-AQS Software



panel configuration:
single, dual or multiple
(symbolic image)

COLENTA DX Easy Imaging Software

The **X-AQS Image Acquisition Software** enables an image preview in approximately 5 seconds after X-Ray exposure for prompt image previewing/confirmation.

The **X-AQS Image Processing Software** provides consistent and excellent image quality, using optimized algorithms for each different body part, allowing various pre-set image processing modes for different studies, at considerably reduced X-Ray dose.

The **X-AQS DX Easy Imaging Software** is fully DICOM 3.0 compatible, providing image data transfer to any DICOM device, PACS²⁾ or RIS, for efficient data management, printing, archiving and remote image viewing.

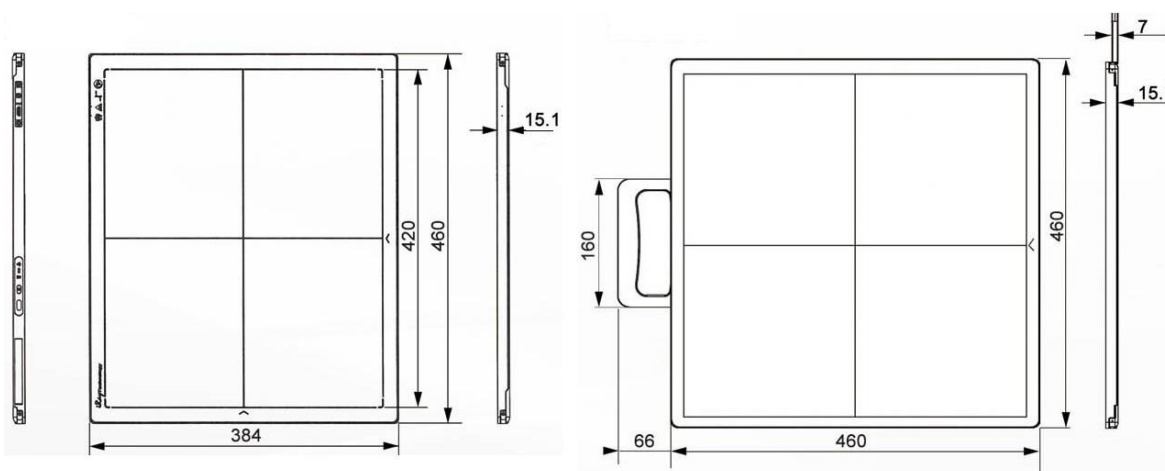
¹ DICOM Digital Imaging and COmmunications in MEdicine

² PACS Picture Archiving and COmmunication SSystem

DX Easy Imaging DR Retrofit Kit 1417 / 1717 - WL

Specifications

Technology	Flat Panel Detector, Amorphous Silicon
Scintillator	CsI (Directly Deposit)
Active area	14" x 17"(Panel 1417), 17" x 17" (Panel 1717)
Resolution	2.304 x 2.800 Pixel (1417), 3.072 x 3.072 Pixel (1717),
Pixel pitch	150 µm x 150 µm (1417), 139 µm x 139 µm (1717)
Grayscale	16 Bit (65.536) – Panel 1417, 16 Bit (65.536) – Panel 1717
Image acquisition time	≤ 5s (1417), ≤ 5s (1717)
Method of Exposure (trigger)	DR Trigger / i-Sync 2 (AED)
Image transfer	wired Ethernet / WIFI (wireless communication)
Wireless Mode	2.4G / 5G, with internal AP
Internal Image Storage	200 full size images
Battery Operating Time	≥ 5 hours (1417), ≥ 5 hours (1717)
Battery charging time empty to full	approx. 2.5 hours
Water Proof	IPX1 (1417), IPX1 (1717)
Drop Monitoring	Realtime
Limiting Resolution	3.3 lp/mm (1417), 3.6 lp/mm 1717)
DQE @ 1.0 LP/mm(2.5uGy)	49%
Dimensions	384mm (H) x 460mm (V) x 15.1 (D) mm (1417) 460mm (H) x 460mm (V) x 15.1 (D) mm (1717)
Power Consumption	max. 18W (1417), max. 20W (1717)
Adapter	AC input 110~240V, 50~60Hz
Weight	3.43 kg (8.16 lbs), Panel 1417 – 4.3 kg (10.36 lbs), Panel 1717
Operating Environment (1717)	+5 °C to +35 °C; 10 % to 90 % (Non-Condensing)
Operating Environment (1417)	+5 °C to +35 °C; 10 % to 90 % (Non-Condensing)
Storage and transport (1717)	-20 °C to +55 °C; 5 % to 95 % (Non-Condensing)
Storage and transport (1417)	-20 °C to +55 °C; 5 % to 95 % (Non-Condensing)
Capture console, consisting of	Capture Workstation with a Touch Screen Monitor, X-AQS DX Easy Imaging Software, Charging dock



Specifications are subject to change without notice. All brand names or trademarks are the property of their respective owners. In some countries, regulatory approval may be required to import medical devices.

COLENTA Labortechnik GmbH & Co. KG

Neunkirchner Str. 117

A-2700 Wiener Neustadt, Austria

Tel.: +43(0)2622-28311-0 Fax: +43(0)2622-28311-7

E-Mail: office@colenta.at