

# data sheet

## Colenta® INDX - FDS Film Delivery System



Industrial X-Ray Film Delivery System - FDS,  
to be used for the

**Colenta®** INDX 43/5 NDT Film processor

**Colenta®** INDX 43/55 NDT Film processor

For common used Industrial X-Ray Films



06/2020 AN

# 1) TECHNICAL SPECIFICATIONS

<b>Processing applications:</b>	Cut sheets of following industrial x-ray films (BxH in inch): - one stack (50 sheets): 17x14, 14x11, 12x10 - two stacks (100 sheets): 7x17, 8x10 - three stacks (150 sheets): 4.5x17, 4.25x10, 3.5x10, 3.5x17, 7x5
<b>Film thickness:</b>	0,10 mm (4mil) - 0,18mm (7mil)
<b>Capacity:</b>	50 sheets in each liner
<b>Material width:</b>	min. 3,5 inch max. 17 inch
<b>Material length:</b>	min. 5 inch
<b>power supply:</b>	single phase 110 - 240V AC 50/60 Hz / 120W
<b>packing dimensions:</b>	1 wooden box on palette 80cm x 85cm x 100cm (L x W x H)
<b>packing volume:</b>	0,68 m <sup>3</sup>
<b>weight with packing:</b>	90 kg

The Colenta **FDS** connected to  
**Colenta INDX 43/5 NDT** processor

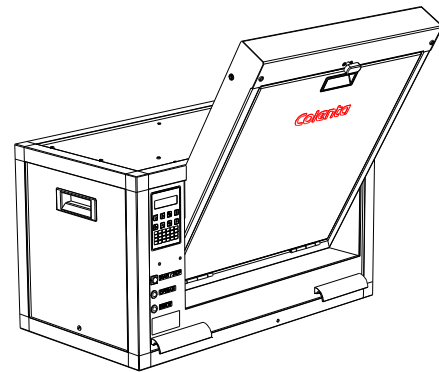
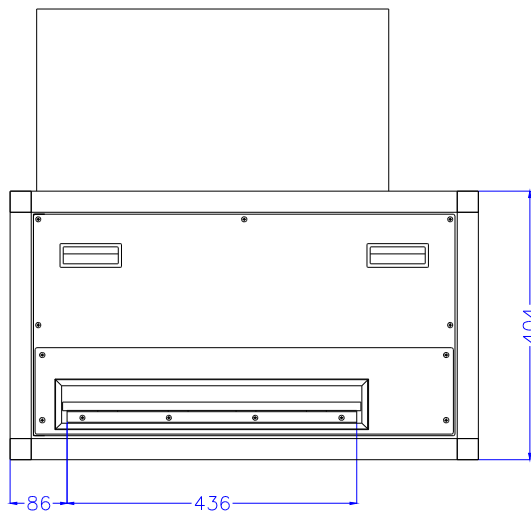
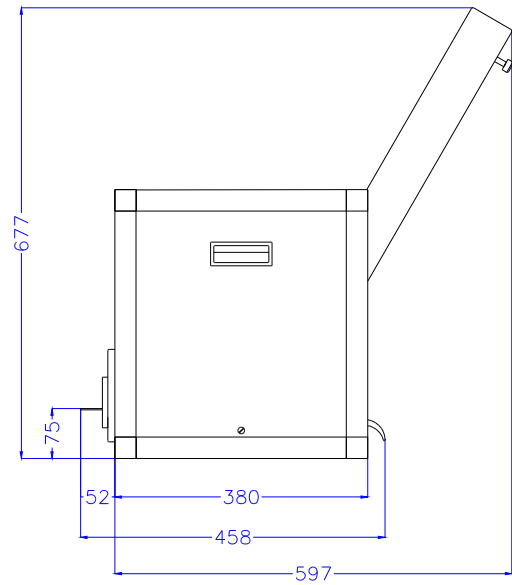
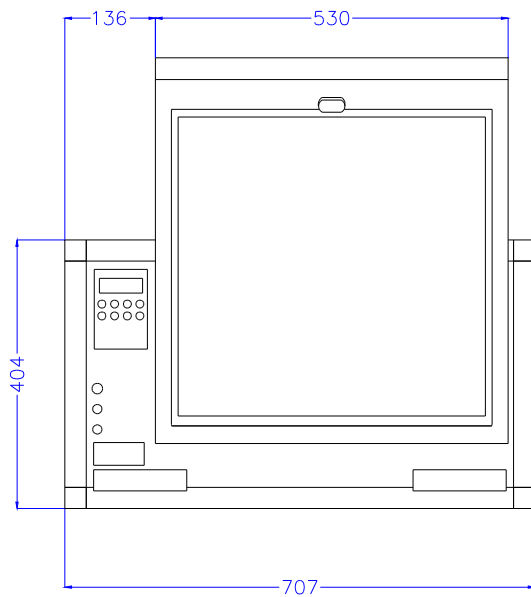


The Colenta **FDS** connected to a  
**Colenta INDX 43/55 NDT** processor



**NOTE :** a suitable support stand is provided with each Colenta **FDS**

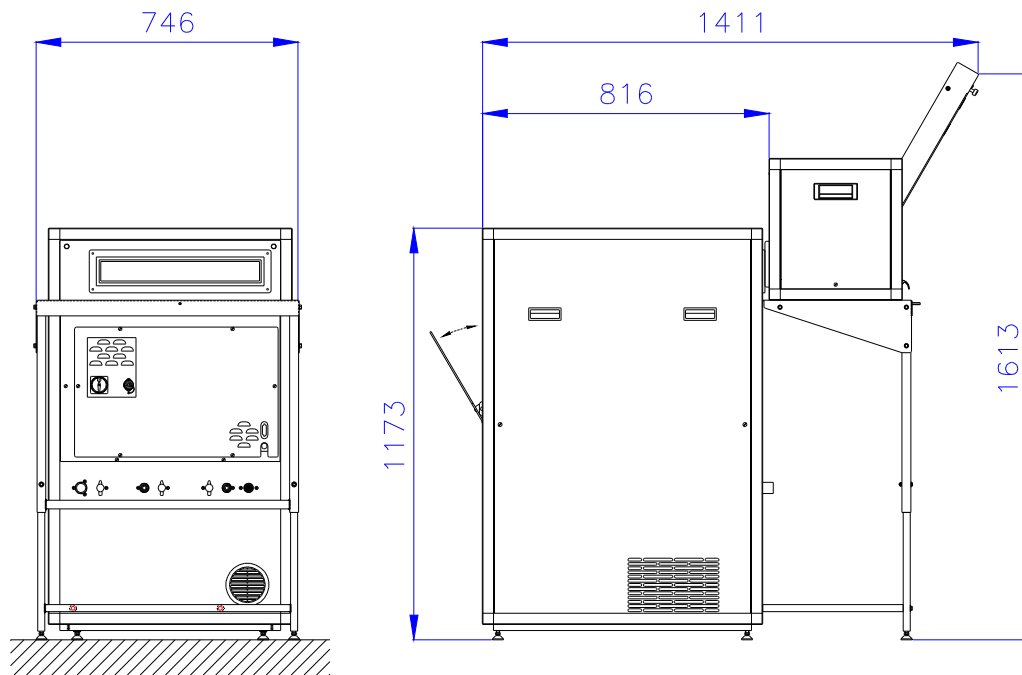
## 2) DIMENSIONS OF THE FDS



- all dimensions in mm

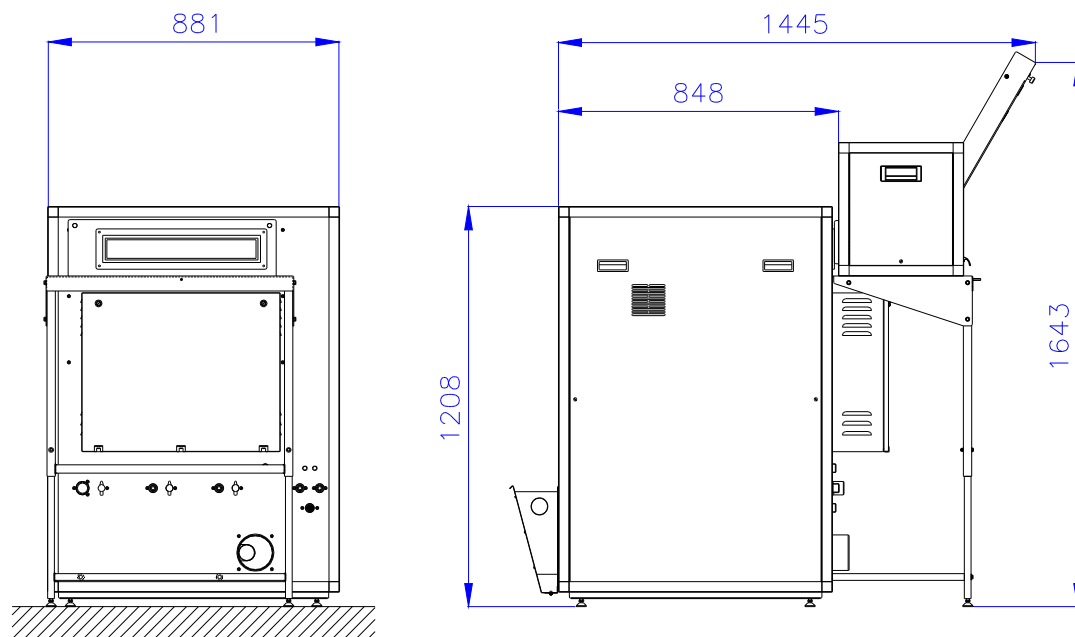
- we recommend a walking space around the system of min. 60cm

### 3) DIMENSIONS OF THE FDS CONNECTED TO A COLENTA INDX 43/5 NDT PROCESSOR



- all dimensions in mm

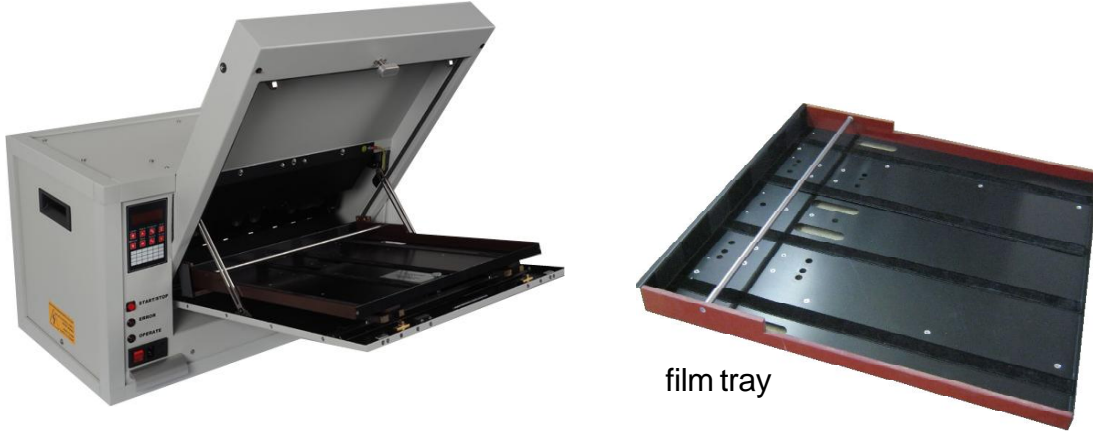
### 4) DIMENSIONS OF THE FDS CONNECTED TO A COLENTA INDX 43/55 NDT PROCESSOR



- all dimensions in mm

## 5) FILM TRAY AND DIVIDERS

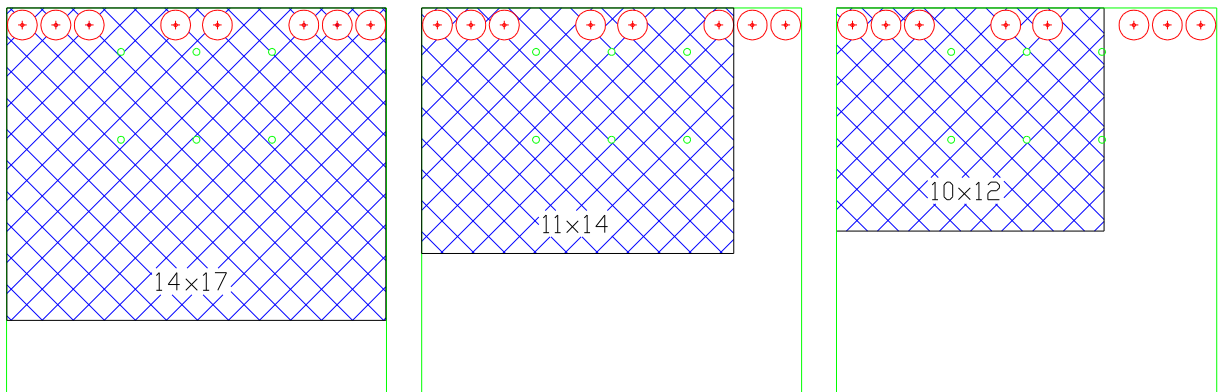
The **Colenta FDS** supports a removable film tray to place different film sizes depending on their size. Different dividers are available in order to position the different sizes of film for safe film loading



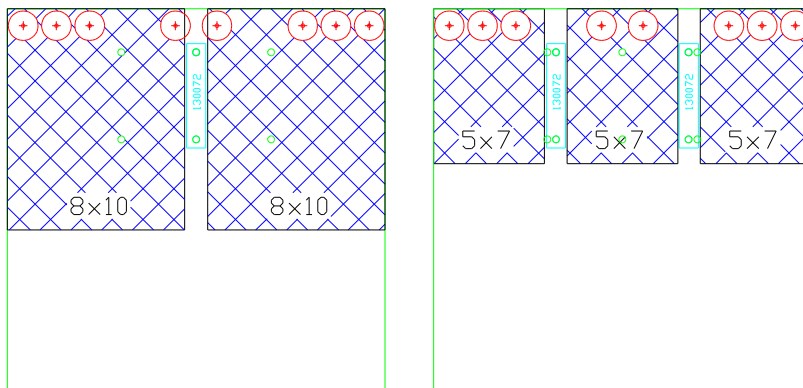
film tray

The Colenta FDS with open lid and film tray in place

**Different Film sizes and position of dividers:**

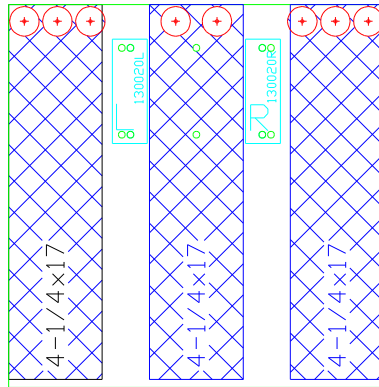
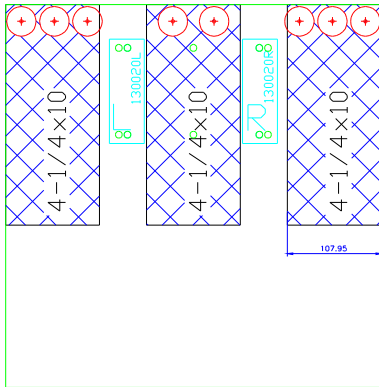


**Dividers 130072 - 8x10, 5x7 Film:**



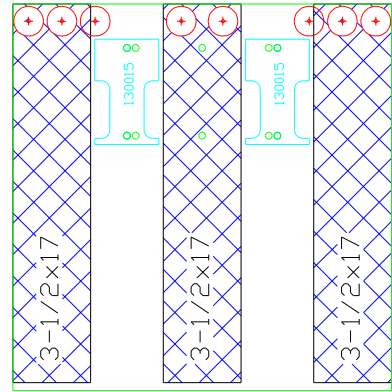
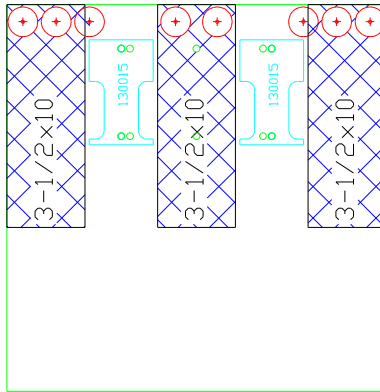
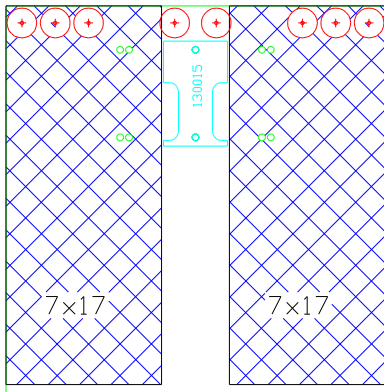
dividers

**Dividers 130020L, 130020R - 4 1/4x10, 4 1/4x17:**



dividers

**Dividers 130015 - 7x17, 3 1/2x10, 3 1/2x17 Film:**



# NOTES:

---

---

---

---

---

---

---

---

---

---

---

---

---

---

---

---

---

---

---

---

---

---

---

---

---

---

---