

data sheet

Colenta[®]

StudioLine BW-RC Paperprocessor

Available in 4-Tank and 5-Tank format.



Colenta[®]

Studioline Processor 56, 66 & 80 cm / 4 and 5 Tank format.
Available for BW - RC Paper

08/2022 AN



StudiolineProcessor

56-80 BW-RC 4Tank / 5Tank

Models available:

56 BW-RC 50-4Tank
56 BW-RC 50-5Tank

66 BW-RC 50-4Tank
66 BW-RC 50-5Tank

80 BW-RC 50-4Tank
80 BW-RC 50-5Tank

Technical Specifications:

Processing applications:
Process width:

BW-RC Paper - digital & conventional applications.

56 BW-RC...max. 56 cm (22 inch)

66 BW-RC...max. 66 cm (26 inch)

80 BW-RC...max. 80 cm (32 inch)

Microprocessor Control:

- with up to 9 preprogrammable processing cycles

Transport Speed (at 45 sec DEV-Time): 50 cm/min (27 inch/min)

Tankcapacities:

56BW-RC 4T/5T

66BW-RC 4T/5T

80BW-RC 4T/5T

	56BW-RC 4T/5T	66BW-RC 4T/5T	80BW-RC 4T/5T
Developer :	7,5 lt	9 lt	10 lt
Fixer :	8 lt	9,5 lt	10,5 lt
Wash1 :	8 lt	9,5 lt	10,5 lt
Wash2 :	8 lt	9,5 lt	10,5 lt
Wash3 :	8 lt	9,5 lt	10,5 lt (5 tank format only)

Replenishment:

- controlled by opto-sensors, measuring film area (touchless)
- activated after 0,1 - 0,999m² * film area fed into the processor
- antioxidation/standby replenishment, activated after 0-9 hours *

Temperatures:

High / Low level monitoring of the Dev, Fixer and Dryer

Work in Progress :

Details the position of the media through the processor.

Transport:

- Drive motor overload monitoring *
- Security cover lid switch *
- Manual feed facility

*** when activated will operate an audible warning and a message alert to confirm the error type.**

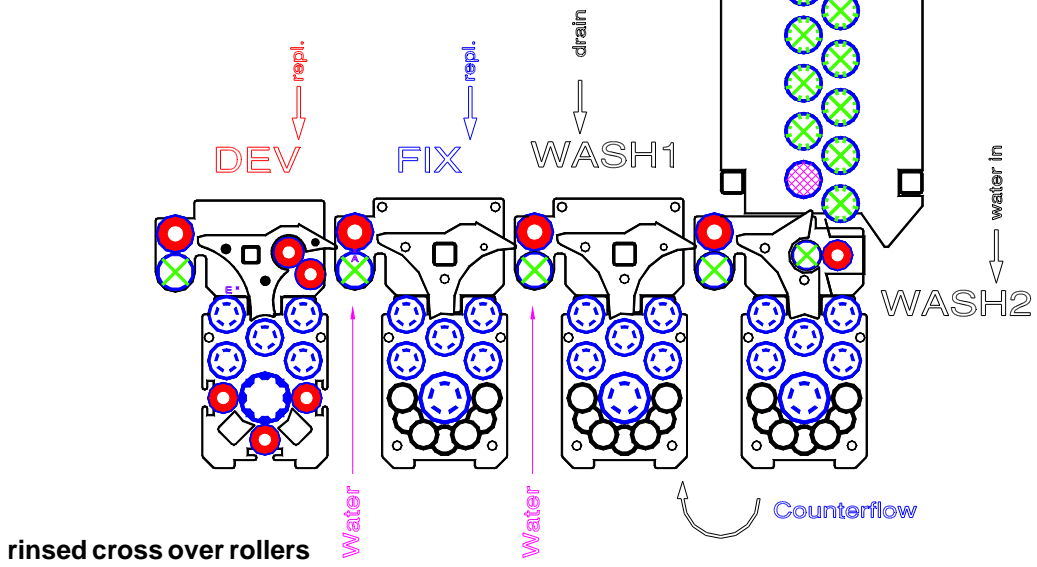
Additional Accessories and Features:

- Support Stand, Long Roll Feed & Motorised Take-Up, Level sensor monitoring,
- water supply panel - 2 position chemical mixing console

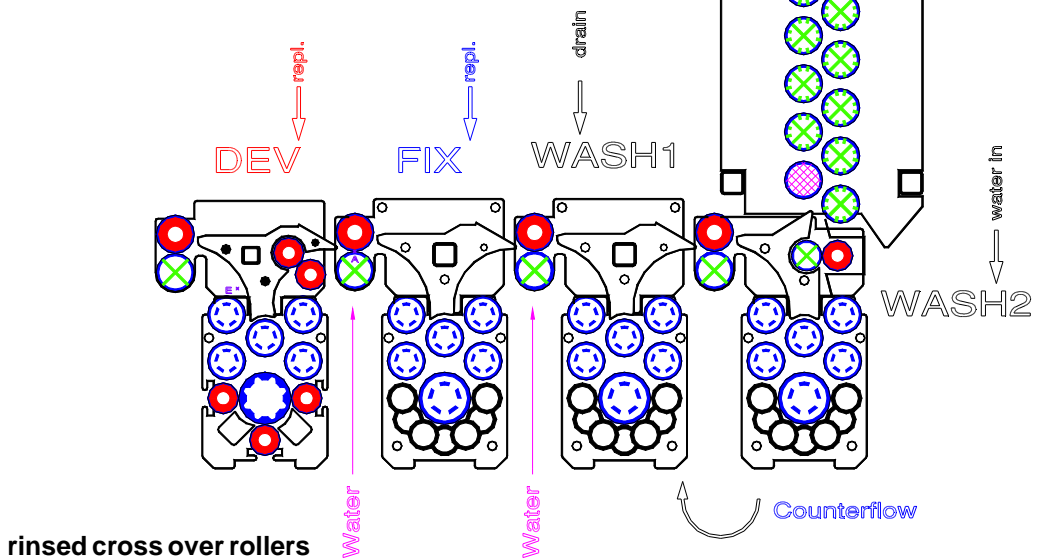
Technical specification subject to change without notice.



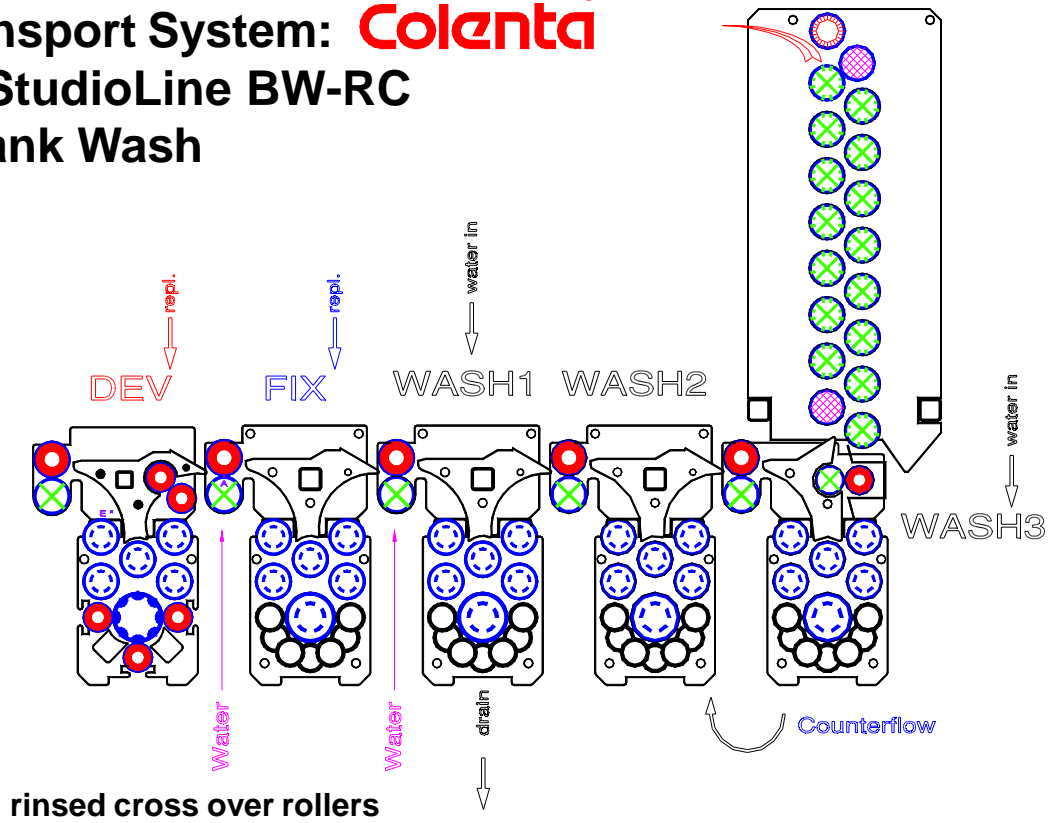
Transport System: **Colenta**[®]
 56 StudioLine BW-RC
 4Tank Wash



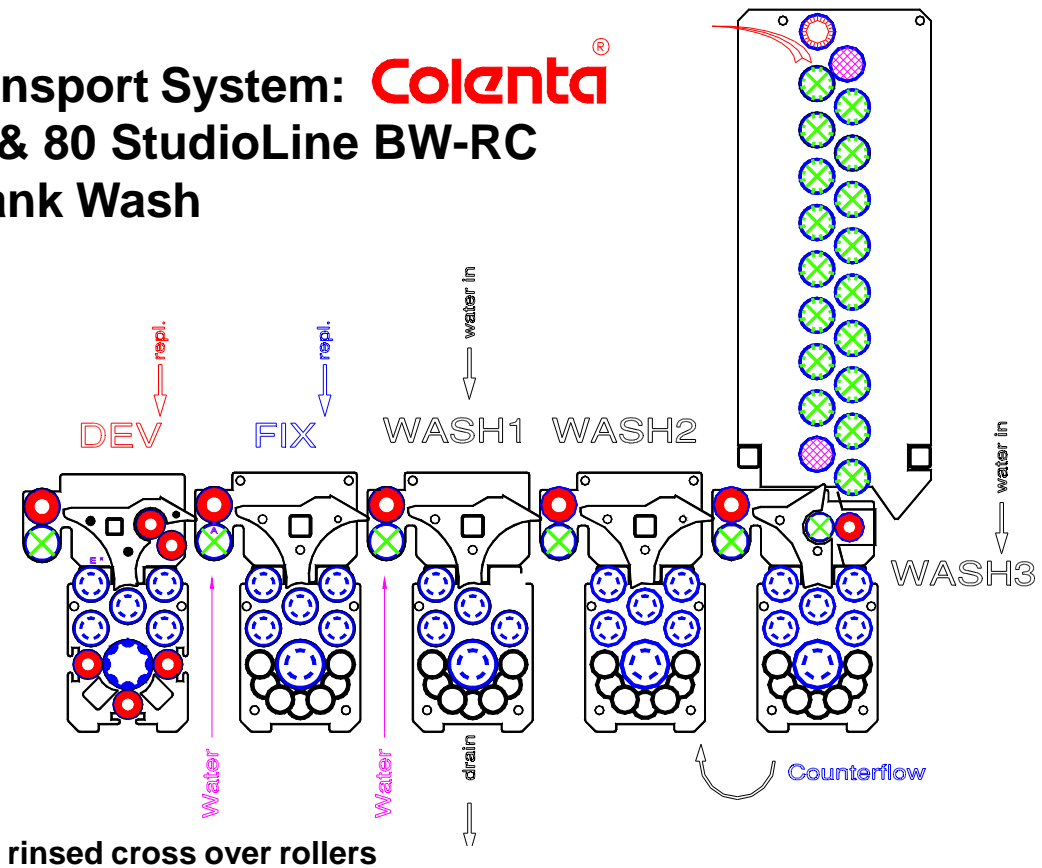
Transport System: **Colenta**[®]
 66 & 80 StudioLine BW-RC
 4Tank Wash



Transport System: **Colenta**[®]
 56 StudioLine BW-RC
 5 Tank Wash

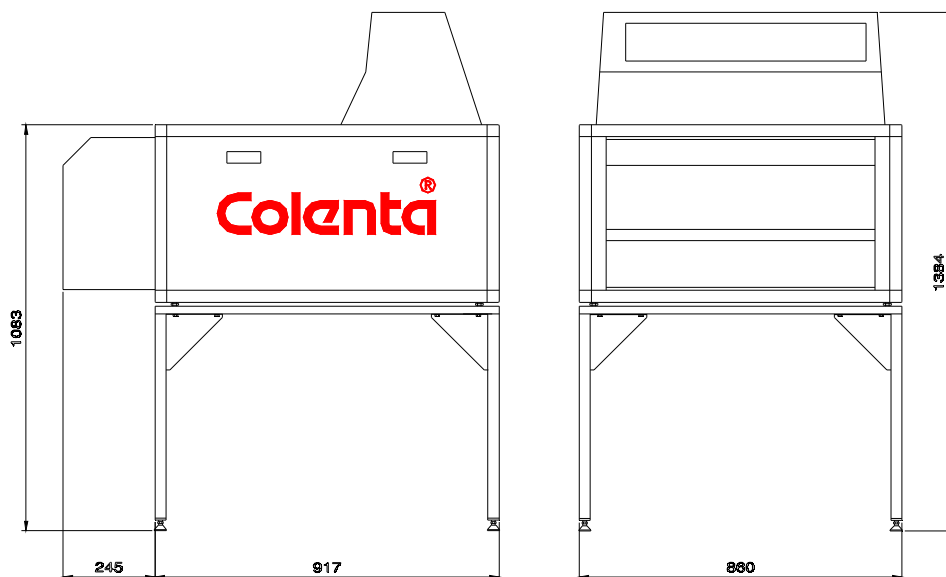


Transport System: **Colenta**[®]
 66 & 80 StudioLine BW-RC
 5 Tank Wash



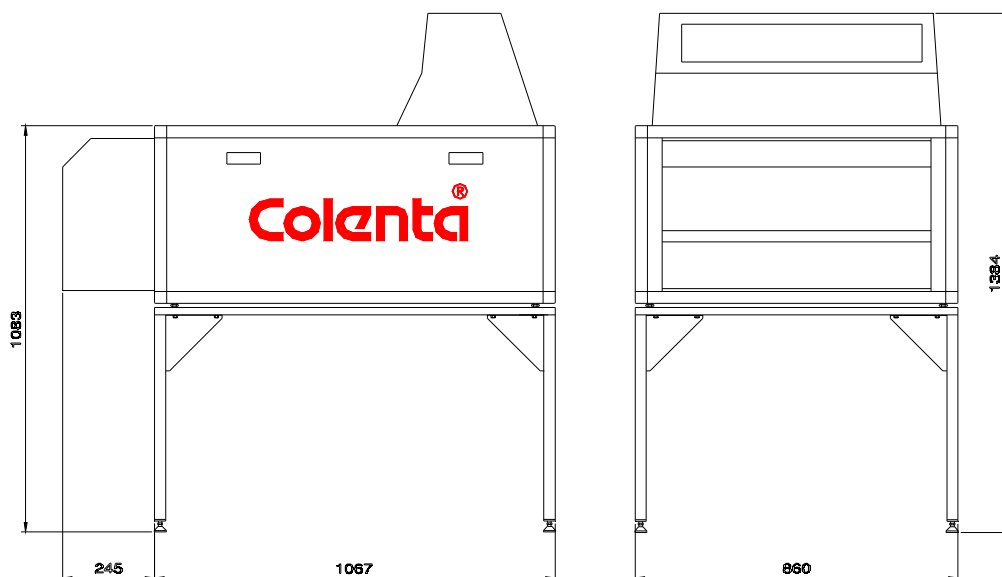
Dimensions: StudioLine

56 BW-RC 50 4Tank



Dimensions: StudioLine

56 BW-RC 50 5Tank

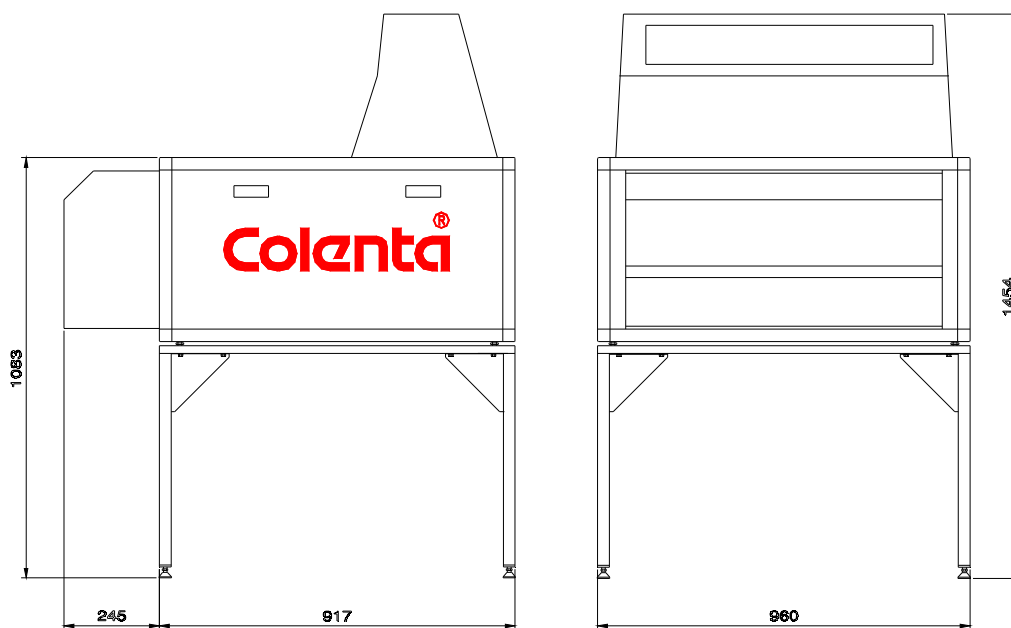


+ all dimensions are in mm

+ we recommend a minimum walking space of 60cm around the processor.

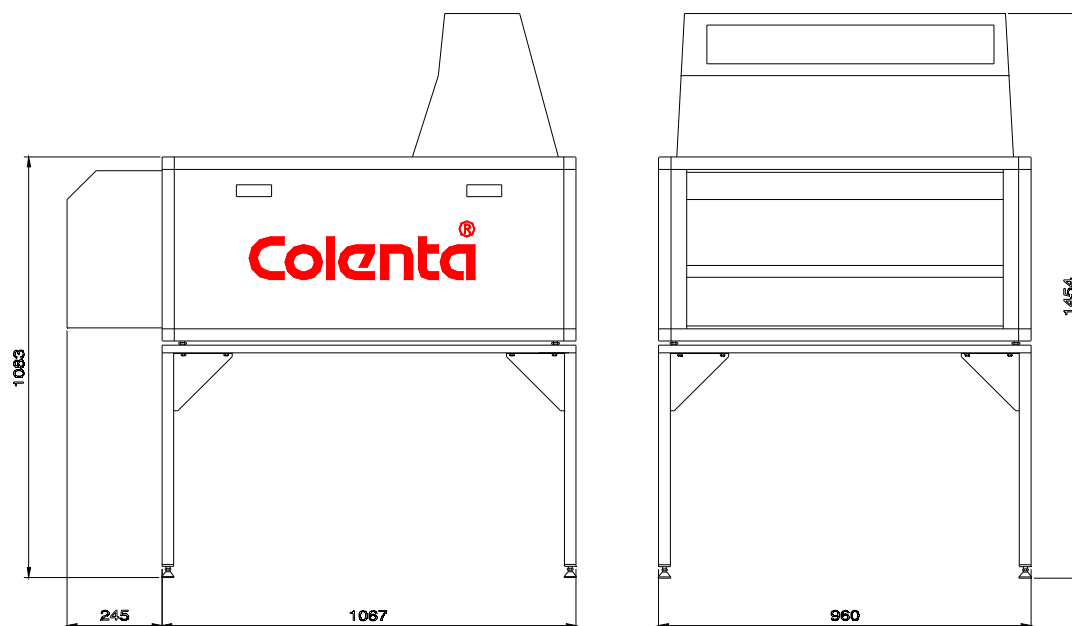
Dimensions: StudioLine

66 BW-RC 50 4Tank



Dimensions: StudioLine

66 BW-RC 50 5Tank

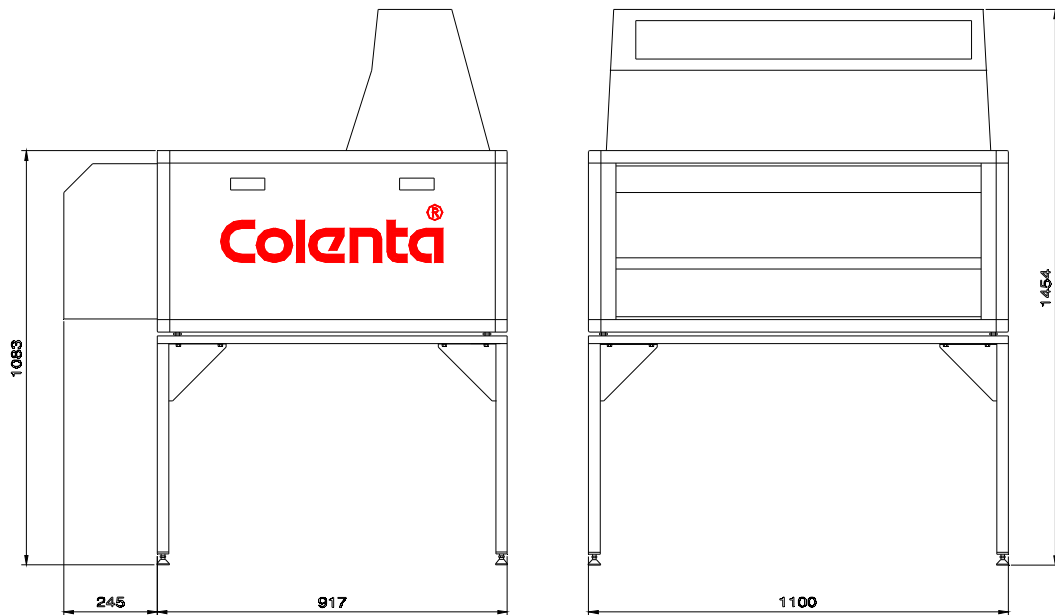


+ all dimensions are in mm

+ we recommend a minimum walking space of 60cm around the processor.

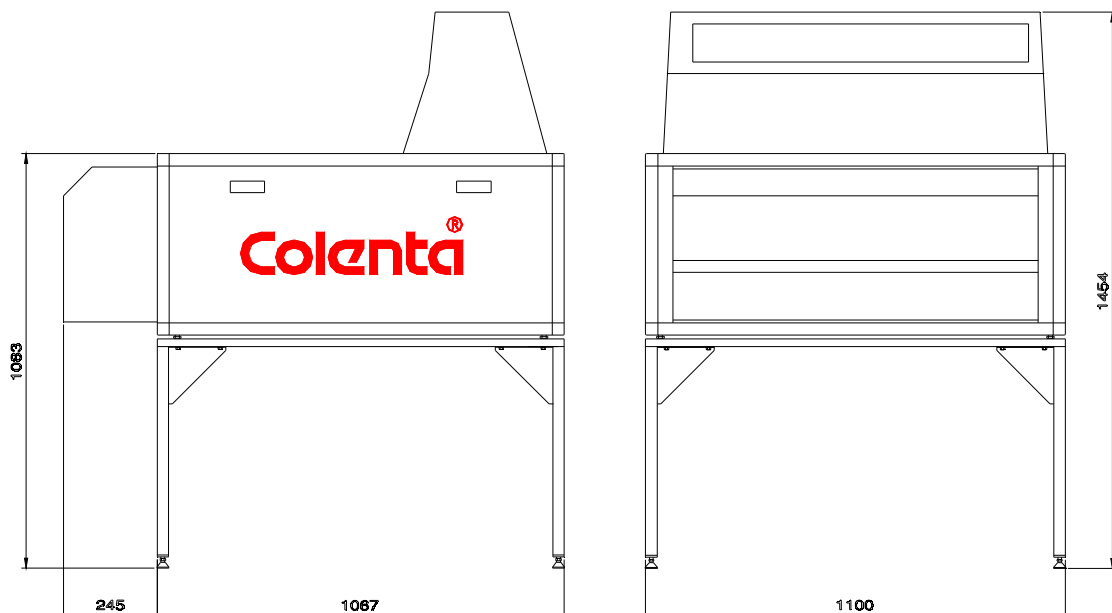
Dimensions: StudioLine

80 BW-RC 50 4Tank



Dimensions: StudioLine

80 BW-RC 50 5Tank



+ all dimensions are in mm

+ we recommend a minimum walking space of 60cm around the processor.

Optionals: **Colenta**[®] BW-RC StudioLine



Colenta[®]
Water Supply Panel assy
(see extra documentation)

Colenta[®]
2x40L / 2x80L Mixing Concole
(see extra documentation)



Colenta[®]
roll feed assy



Colenta[®]
motorized roll take up assy



Sample installation **Colenta**[®] BW-RC StudioLine



Electrical supply:

Processor ~230V / 50/60Hz

56 BW-RC 50 4/5Tank 3,1kW/16A
66 BW-RC 50 4/5Tank 3,6kW/16A

3N~400/230V, 50/60Hz
80 BW-RC 50 4/5Tank 6,8kW/13A

Details for shipment:

56 BW-RC 50 4Tank

packing dimensions: 1 wooden box on palette
150cm x 94cm x 111cm (L x W x H)
packing volume: 3,405 m³
weight with packing: 250 kg

66 BW-RC 50 4Tank

packing dimensions: 1 wooden box on palette
150cm x 118cm x 111cm (L x W x H)
packing volume: 3,136 m³
weight with packing: 275 kg

80 BW-RC 50 4Tank

packing dimensions: 1 wooden box on palette
150cm x 118cm x 111cm (L x W x H)
packing volume: 3,136 m³
weight with packing: 315 kg

Packing dimensions for 5Tank model are available on request.

