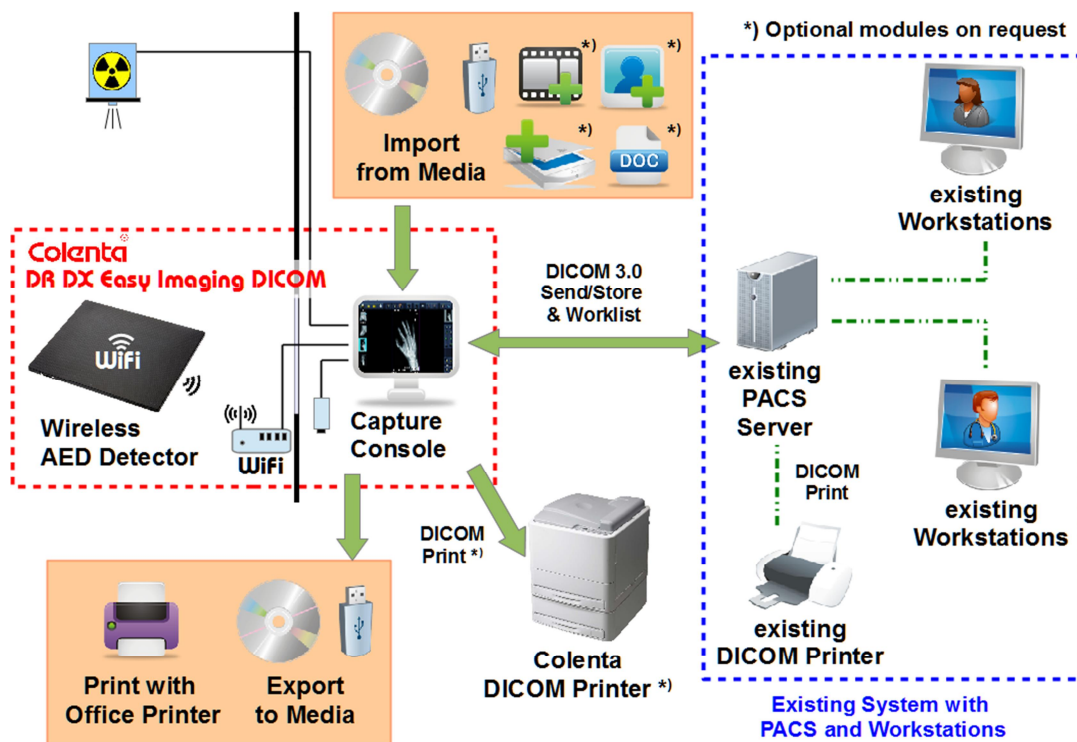


Colenta[®] DX – EASY IMAGING

DR Retrofit Kit Package – Configuration DICOM



Description:

The **DR Retrofit Kit - Configuration DICOM** makes the use of CR Cassettes/Imaging Plates or the use of analogue x-ray films, the use of film cassettes and intensifying screens, the use of a darkroom, a processor and processing chemistry obsolete.

The digital information for the various images, necessary for an x-ray examination, is obtained by means of the **Colenta Wireless Flat Panel Detector**, which is replacing the CR Cassettes/Imaging Plates or the conventional method of using cassettes/films.

Several of the Colenta Wireless Flat Panel Detectors are with **AED (Automatic Exposure Detection)** – facility, does not need any interlink to the x-ray generator.

The digital information, produced by the DR Detector is transferred to the **Capture Console**, where by means of the **DX-Easy Imaging Acquisition Software** the x-ray image is obtained and can be evaluated on screen – within approximately 3 seconds after the x-ray exposure.

The **DX-Easy Imaging Processing Software** allows the radiologist to enhance and examine the image exactly as required to make a precise diagnosis. The image can be exported to different media or a patient CD made as required.

Only the diagnosis related images are printed by means of the **COLENTA DICOM¹⁾ Printer** onto **Dry Imaging Film** for keeping in the patient file.

A **CD-writer** in the PC of the Capture Console allows images to be written and to create a **Patient-CD**, to be kept with the patient file.

When an **IT-System** with a **PACS²⁾ Server** is already in use, the **DICOM¹⁾ Configuration** can be easily implemented in the existing system.

1) DICOM ... **D**igital **I**maging and **C**ommunications in **M**edicine

2) PACS ... **P**icture **A**rchiving and **C**ommunication **S**ystem

Colenta[®] DX – EASY IMAGING

DR Retrofit Kit Package – Configuration DICOM

consists of:

1) Capture Console

1a) 23" TFT Touchscreen Console Monitor *)

- 23" colour TFT Monitor
- 1280x1024 resolution

*) When diagnosis to be done on Console Monitor, it is recommended to use a Diagnostic Monitor.

	21.3" TFT 2M colour	21.3" LED 2M monochrome	21.3" LED 3M monochrome	21.3" LED 5M monochrome
Resolution	1600 x 1200	1600 x 1200	2048 x 1536	2560 x 2048
Response Time	35ms	40ms	40ms	25ms
Brightness (max)	760 cd/m ²	1200 cd/m ²	1200 cd/m ²	1200 cd/m ²
Contrast Ratio	1200:1	1400:1	1400:1	1200:1
View Angle	176°	176°	176°	176°

Complete List and Prices of Diagnostic Monitors on request

1b) Colenta DX Easy Imaging Capture Console:

- Operating system Windows 8.1 64Bit
- Processor min. Intel Core i5
- 8 GB Memory
- HDD S-ATA 1 TB
- 2x GBit LAN controller
- Intel VGA graphic controller with 24 bit color depth
Video Mode of graphic card supports OpenGL V1.1
min. Screen resolution 1024x768 pixel
- CD/DVD-writer
- Keyboard and mouse
- Preinstalled and tested by Colenta



1c) DX Easy Imaging Acquisition Software and DX Easy Imaging Processing Software

- Module image diagnosis
- Module viewer standard
 - Zoom
 - Rotation and mirror (turn to the left, turn to the right, flip, mirror)
 - Window levelling (Gradation - brightness, contrast and gamma value)
 - Contrast inversion
 - Measurement (Angle, Distance, Outline)
 - Radiography Marker (Left / Right markers)
 - Add Text
- Module patient viewer, CD/DVD
- Image storage facility for approx. 1000 images, exceeding images are automatically erased

1d) DX Easy Imaging DICOM print module (1 printer)

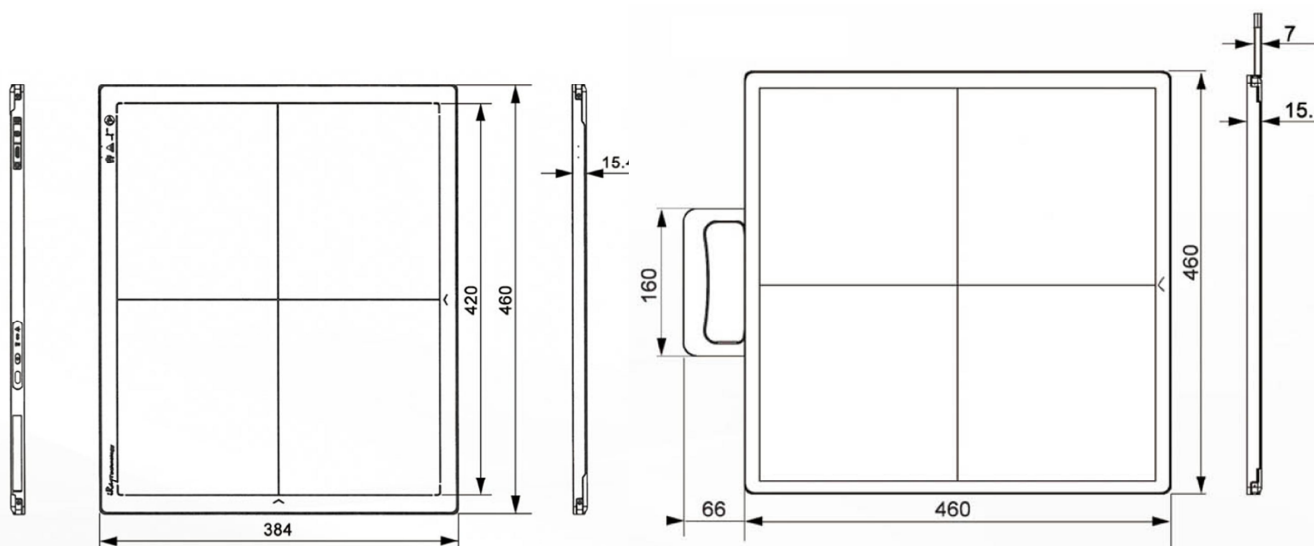
1e) DX Easy Imaging DICOM modality (work list + send/store)

Note: Several software modules are available for the Colenta Acquisition Software. Please refer to the price list.

2) DR Panels 14"x17" and 17"x17":

Specifications

Technology	Flat Panel Detector, Amorphous Silicon
Scintillator	CsI (Directly Deposit)
Active area	14" x 17"(PE 1417), 17" x 17" (PE 1717)
Resolution	2.304 x 2.800 Pixel (PE 1417), 3.072 x 3.072 Pixel (PE 1717),
Pixel pitch	150 μm x 150 μm (PE 1417), 139 μm x 139 μm (PE 1717)
Grayscale	14 Bit (16.383)
Image acquisition time	\leq 5s (PE 1417), \leq 7s (PE 1717)
Method of Exposure (trigger)	DR Trigger / i-Sync 2(AED)
Image transfer	wired Ethernet / WIFI (wireless communication)
Wireless Mode	2.4G / 5G, with internal AP
Internal Image Storage	200 full size images
Battery Operating Time	> 4 hours (PE 1417), > 2 hours (PE 1717)
Battery charging time empty to full	approx. 2 hours
Water Proof	IPX1 (PE 1417), IPX0 (PE 1717)
Drop Monitoring	Realtime
Limiting Resolution	3.3 lp/mm (PE 1417), 3.4 lp/mm (PE 1717)
Dimensions	384mm (H) x 460mm (V) x 15.2 (D) mm (PE 1417) 460mm (H) x 460mm (V) x 15.2 (D) mm (PE 1717)
Power Consumption	13W
Adapter	AC input 110~240V, 50~60Hz
Weight	3.7 kg (8.16 lbs), PE 1417 – 4.7 kg (10.36 lbs), PE 1717
Operating Environment	+5 °C to +30 °C; 45 % to 85 % noncondensing humidity
Storage and transport	-10 °C to +40 °C; 45 % to 85 % noncondensing humidity
Capture console, consisting of	Capture Workstation with a Touch Screen Monitor, X-AQS DX Easy Imaging Software, Charging dock



Software controls detector, image acquisition and optimization, connects dose area product measurement device. Optional with fully integrated **DX Easy Imaging X-AQS PACS** solution.

Colenta Dry Laser Imager - High Efficiency - Mammo Applicability



HighCap Xp



HighCap XLp

Recording Method	Laser exposure thermal development system	
Applicable Film	<p>MEDIPHOT DRY IMAGING FILM DL (100/150 sheets/pack) 35 x 43cm (14" x 17"), 26 x 36cm (10" x 14"), 25 x 30cm (10" x 12"), 20 x 25cm (8" x 10")</p> <p>MEDIPHOT DRY IMAGING FILM DLM for Mammography (150 sheets/pack) 26 x 36cm (10" x 14"), 25 x 30cm (10" x 12"), 20 x 25cm (8" x 10")</p>	
Film loading	Daylight film loading	
Film magazines	2 trays online	3 trays online
Processing Capacity	approx. 80 sheets/hour at 35 x 43cm (14" x 17") approx. 100 sheets/hour at 20 x 25cm (8" x 10")	approx. 110 sheets/hour at 35 x 43cm (14" x 17") approx. 160 sheets/hour at 20 x 25cm (8" x 10")
Pixel size	50 um (508 dpi)	
Recording gradation	14 bits (16383)	
Image Memory	1 GB	
Density adjustment	Automatic density correction	
Input channels	DICOM network input x 1 channel only	
Power Supply Conditions	Single phase 50-60Hz AC120-240V±10%	
Environmental Conditions	Temperature: 15-30°C Humidity: 15-70%RH (No dew condensation)	
Weight	104 kg (229.3 lbs.)	160 kg (353 lbs.)
Dimensions (WxDxH)	610 x 630 x 893 mm (24" x 25" x 35")	600 x 585 x 1090 mm (24" x 23" x 43") – w/o sorter 600 x 585 x 1390 mm (24" x 23" x 55") - with sorter
OPTIONS	Optional Tray Floor Fix Kit	4-bin sorter

MEDIPHOT DL – Dry Laser Imaging Film:

Matching with Colenta HighCap Xp/XLp Printers, the low fog, consistently clear, the **Dry Laser Film DL** delivers high density images at neutral colour tone, comparable to those from conventional wet processing.

Film size	Quantity/Package
35 x 43cm (14" x 17")	100 sheets + 1 protective sheet
26 x 36cm (10" x 14")	150 sheets + 1 protective sheet
25 x 30cm (10" x 12")	150 sheets + 1 protective sheet
20 x 25cm (8" x 10")	150 sheets + 1 protective sheet

MEDIPHOT DLM – Dry Laser Mammography Imaging Film:

Matching with Colenta HighCap Xp/XLp Printers, the low fog, consistently clear, the **Dry Laser Film DLM** delivers high density images (D-max of 4.0) at a blue film colour, and better sharpness compared to DL. The DLM also has adequate image quality for mammography.

Film size	Quantity/Package
26 x 36cm (10" x 14")	150 sheets + 1 protective sheet
25 x 30cm (10" x 12")	150 sheets + 1 protective sheet
20 x 25cm (8" x 10")	150 sheets + 1 protective sheet