

data sheet

Automatic Twin-Processor **Automatic Twin-Processor**

DOUBLE DECKER DD

Imageline DD 56 OL

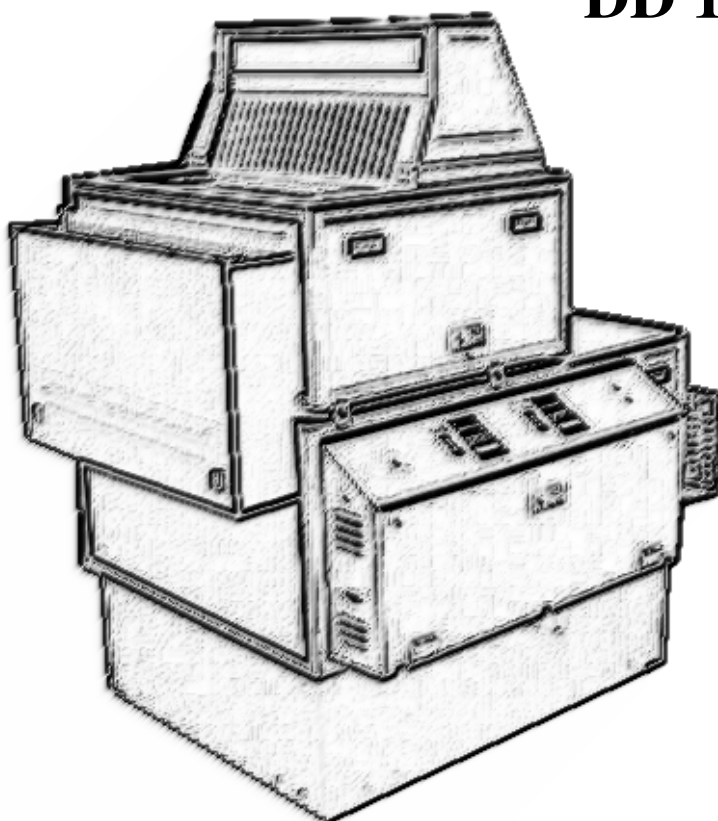
DD 68 OL

DD 80 OL

DD 95 OL

DD 110 OL

FILM & PLATE



Colenta[®]

for Graphic Art Films and PE-Printing Plates (up to 0,3 mm)

PLATE - 125 cm/min at 20 sec ACT time

FILM - 175 cm/min at 20 sec DEV time

03/2001 AN

Colenta Imageline®

DD-model processors have 9 programmable processing channels (9 for FILM & 9 for PLATE), an intermediate rinse bath rack system, covered stand, hose/tube connection (100 mm dia.) facility for ventilation of the processors wet-section to an external exhaust fan and supplied with 4 x 30 lt replenishment storage tanks

With level control in both, DEV/FIX and ACT/STAB processor tanks to automatically “top-up” chemistry when levels are low.

With level control in wash tanks: high/low level monitoring with alarm warning.

With automatic wash tank “fill” when processor is switched on.



Technical Specifications

Processing applications **FILM**: Films, RC-paper, Rolls/Cut sheets of all commonly used GA-Film/Paper inclusive of I.R.Material

Processing applications **PLATE** : All commonly used PE-Printing PLATES

Film thickness: up to 0,18mm (7mil)
 Plate thickness: up to 0.3mm
 Material width: min. 7,5 cm max. **56/68/80/95/110**cm
 Material length: min. 10 cm
 Time in DEVELOPER: min. 20 sec - max. 100 sec
 Time in ACTIVATOR: min. 17 sec - max. 100 sec
 Input speed. **PLATE : 20sec/ACT-Time 125cm/min**
FILM : 20sec/DEV-Time 175cm/min

Tank capacity - FILM	Developer Fixer: Wash water:	DD 56	DD 68	DD 80	DD 95	DD 110
		13l	16L	19L	21L	23L

Tank capacity - PLATE	Activator Stabilizer Wash water:	DD 56	DD 68	DD 80	DD 95	DD 110
		9L	13L	15L	18L	20L

Solution heating(**Fix and DEV**): adjustable in a range of 18°C - 43°C (separate inline 550W heaters)
 Solution heating(**Activator**): adjustable in a range of 18°C - 43°C (separate inline 350W heaters for DD 56 - 95) (separate inline 550W heaters for DD 110)

Dryer **Film**: warm air
 variable in a range of 18°C - 50°C

Dryer **Plate**: warm air
 variable in a range of 18°C - 50°C

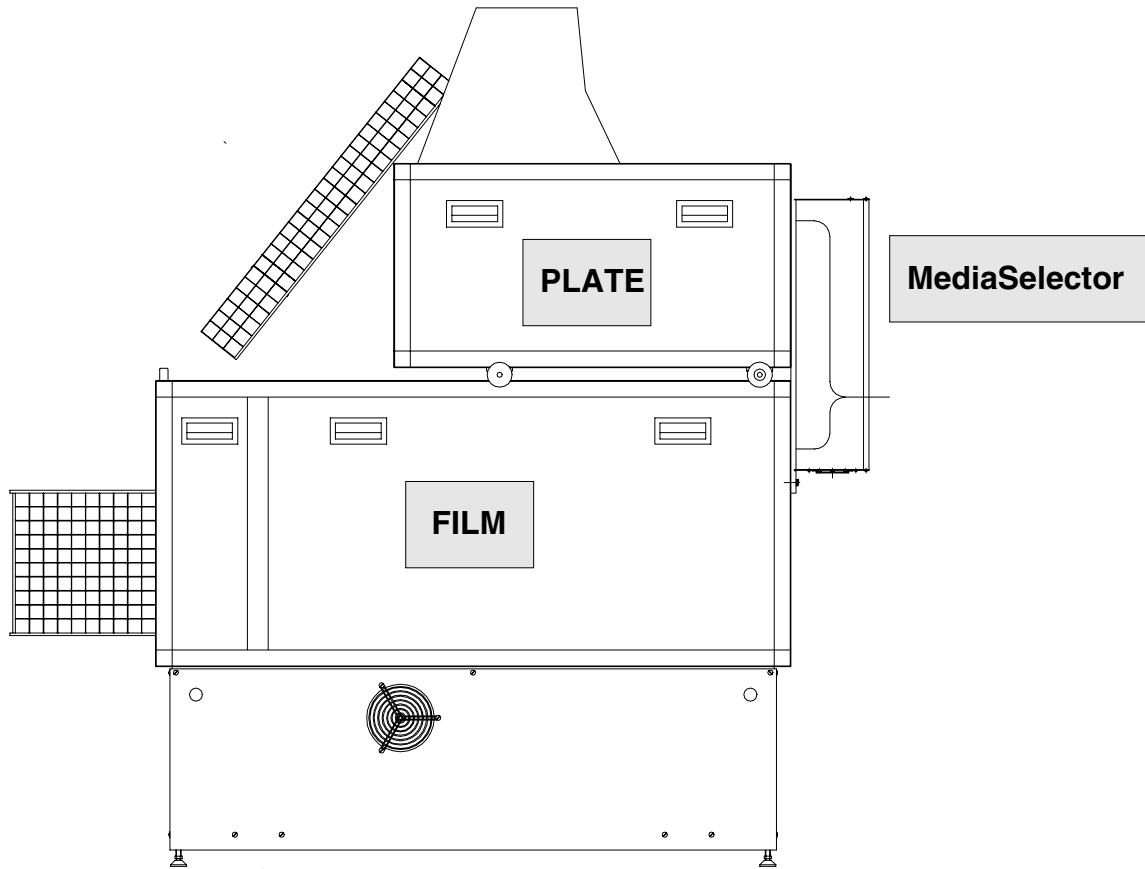
Replenishment **Film & Plate**: fully automatic.
 replenishment is microprocessor controlled and calculated from information received from sensors measuring the width and length of material entering the processor. Replenishment cycles are adjustable.

Wash water distribution: **FILM & PLATE**: built in 4-way magnetic valve
 Wash water flow rate: 2 ltr/min when film/plate is processed
 Wash water supply pressure: 3 - 10 bar for **FILM&PLATE**
 Wash water supply temp.: filtered at a temperature of 8°C - 18°C with 3/4" hose connection

Wash water drain:	32mm (5/4inch) hose or tube					
	DD 56	DD 68	DD 80	DD 95	DD 110	
<u>Weight</u> :	Empty	421 kg	452 kg	485 kg	507 kg	547 kg
	With solution	486 kg	538 kg	585 kg	621 kg	668 kg

Technical specification subject to change without notice.

GLOSSARY



PLATE

56 PL-DD
68 PL-DD
80 PL-DD
95 PL-DD
110 PL-DD

FILM

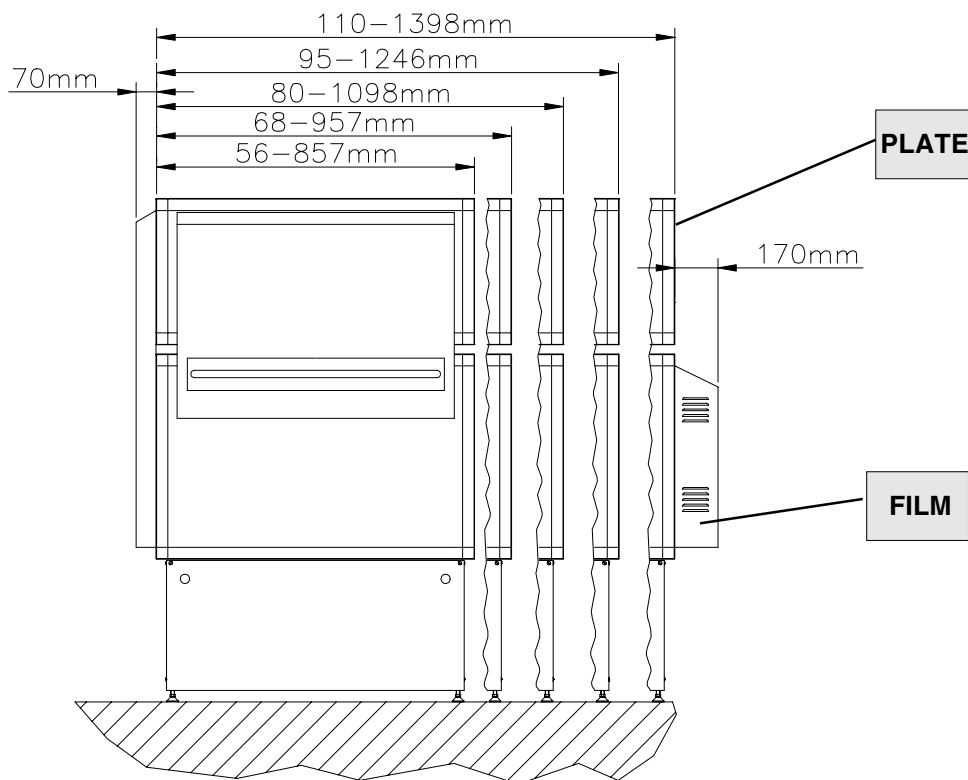
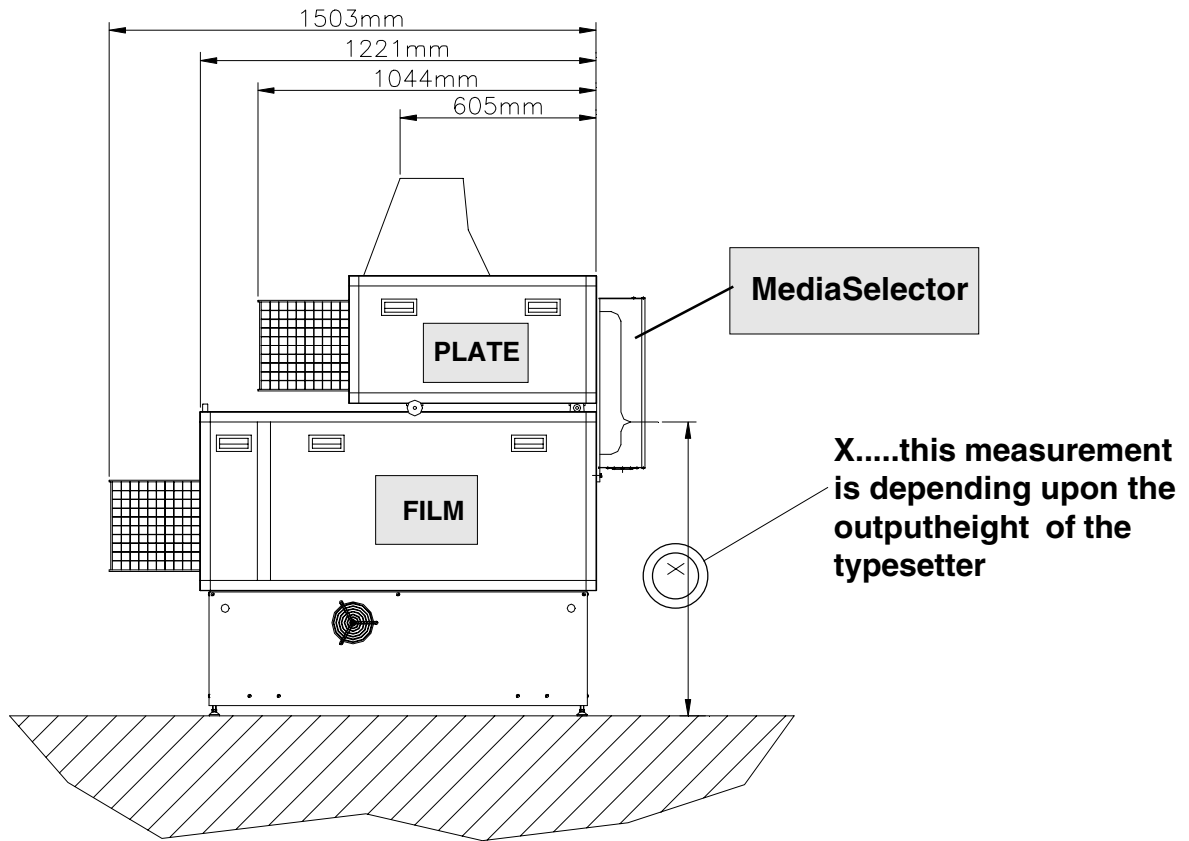
56 SP-DD
68 SP-DD
80 SP-DD
95 SP-DD
110 SP-DD

MediaSelector

56 MS-DD
68 MS-DD
80 MS-DD
95 MS-DD
110 MS-DD

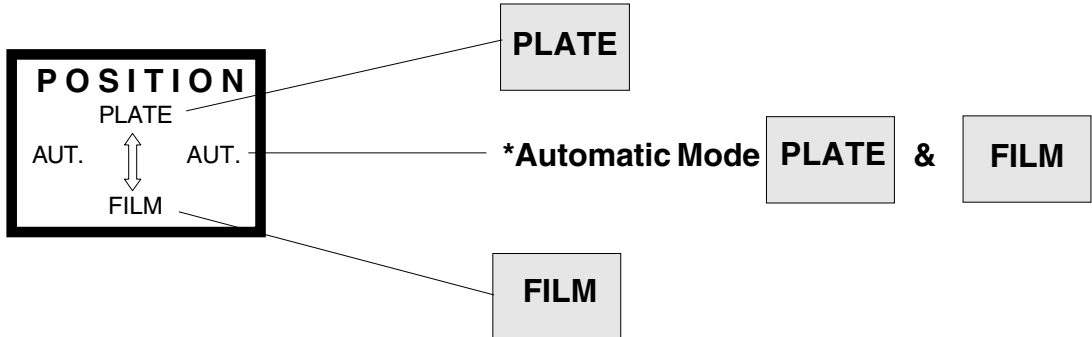
DD- 56 OL
DD- 68 OL
DD- 80 OL
DD- 95 OL
DD-110 OL

Dimensions of DD TWIN:

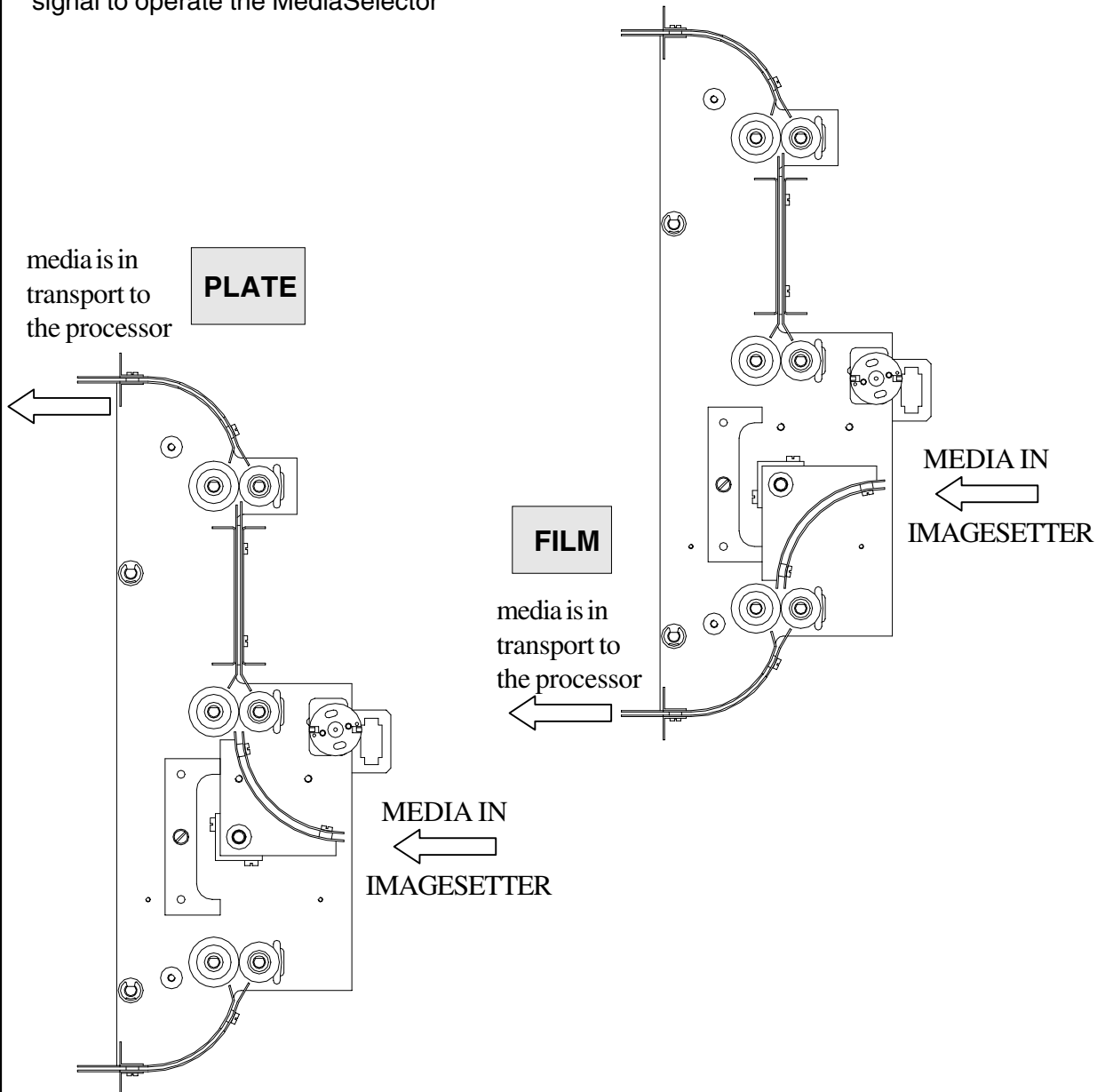


WORKING WITH THE MEDIA SELECTOR

MEDIA SELECTOR

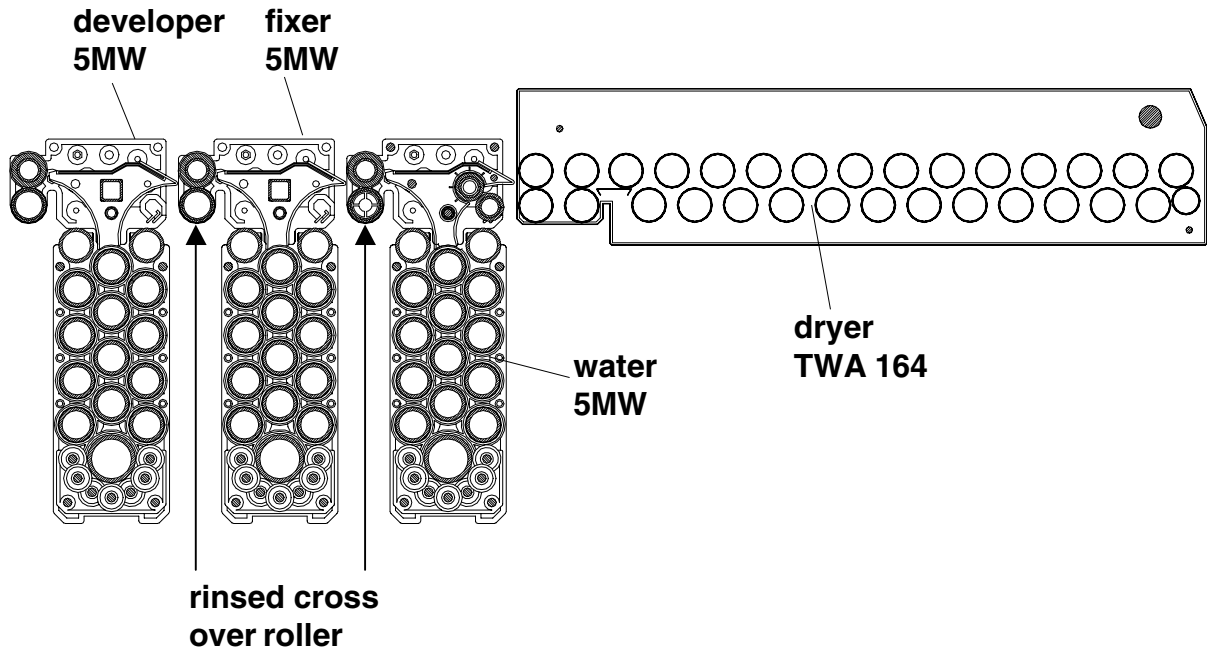


* To work with the Automatic Mode the Film and the Plate-processor must have reached working conditions and Typesetter must be able to supply the corresponding control signal to operate the MediaSelector

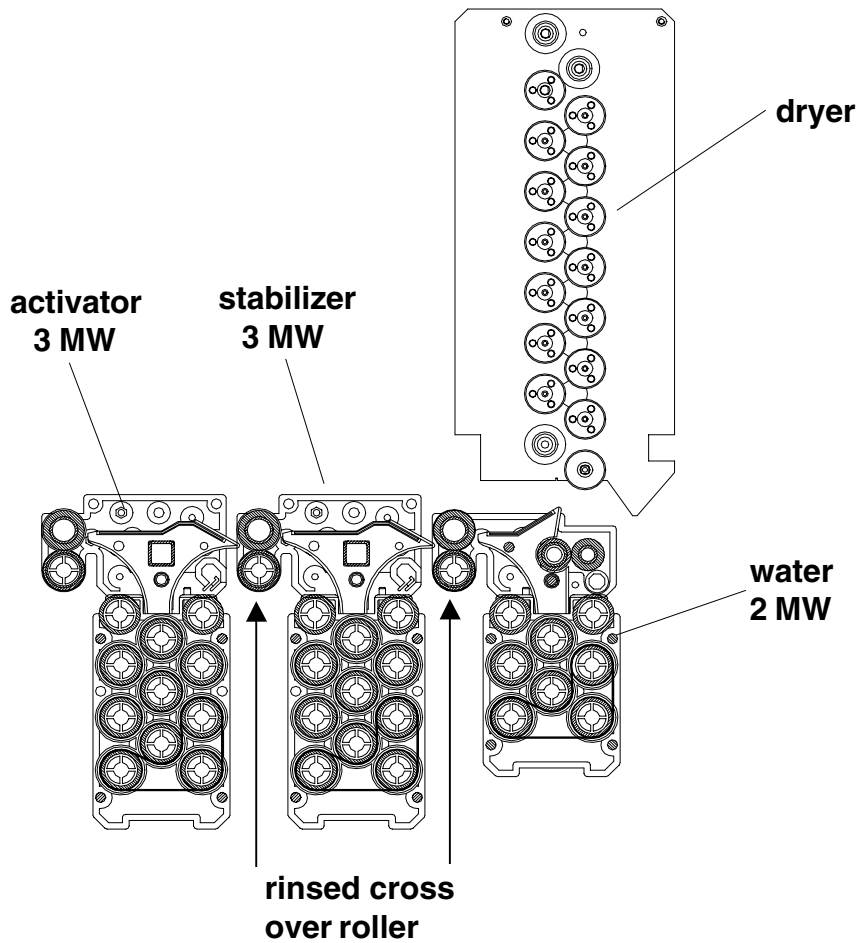


TRANSPORT SYSTEM:

FILM

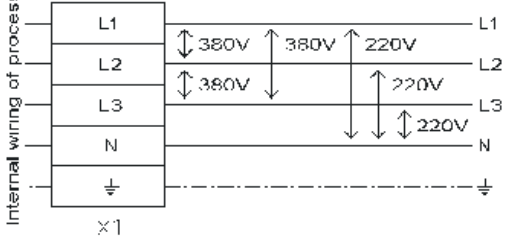
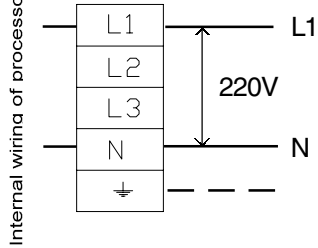


PLATE



Electrical supply:

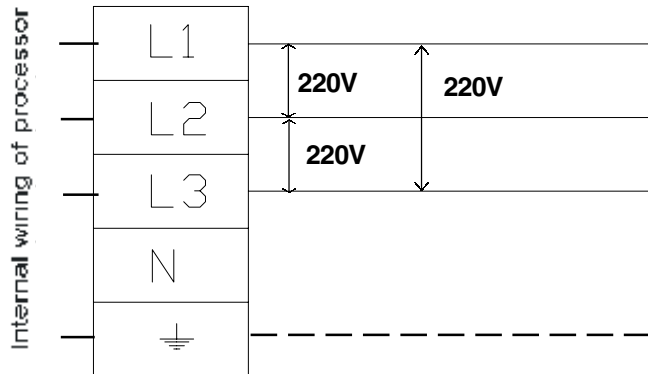
(Standard, when 3N~400/230V, 50/60 Hz supply available)

FILM	3N~ 400/230V 50/60Hz ⁽¹⁾	<p>(1) ATTENTION: PROCESSOR TO BE CONNECTED TO SUPPLY NET: 3N~380/220V 50/60Hz</p>  <p>In case the above voltages are not available at site, please contact your local dealer or the factory for rewiring advice.</p>
DD 56	6,4 kW 13 A	
DD 68	6,5 kW 13 A	
DD 80	6,5 kW 13 A	
DD 95	8,2 kW 16 A	
DD 110	20 A 11,5 kW	
PLATE	220V~ 50/60Hz ⁽²⁾	<p>(2) ATTENTION: PROCESSOR TO BE CONNECTED TO SUPPLY NET: 220V 50/60Hz</p>  <p>In case the above voltages are not available at site, please contact your local dealer or the factory for rewiring advice.</p>
DD 56	3,2 kW 13 A	
DD 68	3,2 kW 13 A	
DD 80	3N~ 400/230V ⁽¹⁾ 50/60Hz 4,0 kW 13 A	
DD 95	4,8 kW 13 A	
DD 110	6,1 kW 13A	
MediaSelector	12V- DC (supplied by processor)	

Electrical supply:

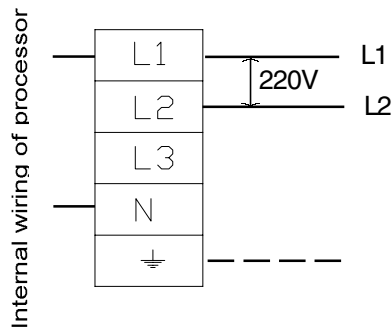
(alternatives, to be indicated when ordering)

**ATTENTION:
PROCESSOR TO BE CONNECTED TO
SUPPLY NET: 3 x 220V**



In case the above voltages are not available at site, please contact your local dealer or the factory for rewiring advice.

⁽²⁾
**ATTENTION:
PROCESSOR TO BE CONNECTED TO
SUPPLY NET: 220V 50/60Hz**



In case the above voltages are not available at site, please contact your local dealer or the factory for rewiring advice.

Details for shipment:

Weights and Dimensions without Online Bridge between Imagesetter and Colenta TWINPROCESSOR.

IL DD 56 OL

packing dimensions:	2 carton box on palette 190cm x 111cm x 160cm (L x W x H)
packing volume:	3,3 m ³
weight with packing:	375 kg
	190cm x 111cm x 110cm (L x W x H)
packing volume:	2,3 m ³
weight with packing:	210 kg

IL DD 68 OL

packing dimensions:	2 carton box on palette 180cm x 123cm x 145cm (L x W x H)
packing volume:	3,2 m ³
weight with packing:	410 kg
	180cm x 123cm x 123cm (L x W x H)
packing volume:	2,7m ³
weight with packing:	210 kg

IL DD 80 OL

packing dimensions:	2 carton box on palette 175cm x 155cm x 160cm (L x W x H)
packing volume:	4,3 m ³
weight with packing:	455 kg
	180cm x 123cm x 145cm (L x W x H)
packing volume:	3,2 m ³
weight with packing:	275 kg

Weights and Dimensions without Online Bridge between Imagesetter and Colenta TWINPROCESSOR.

IL DD 95 OL

packing dimensions:	2 carton box on palette 175cm x 155cm x 135cm (L x W x H)
packing volume:	3,6 m ³
weight with packing:	460 kg
	180cm x 123cm x 145cm (L x W x H)
packing volume:	3,2 m ³
weight with packing:	310 kg

IL DD 110 OL

packing dimensions:	3 carton box on palette 175cm x 155cm x 135cm (L x W x H)
packing volume:	3,6 m ³
weight with packing:	340 kg
	180cm x 123cm x 145cm (L x W x H)
packing volume:	3,2 m ³
weight with packing:	290 kg
	180cm x 123cm x 145cm (L x W x H)
packing volume:	3,2 m ³
weight with packing:	310 kg